

CUSTOMER: Ropla  
DISTRIBUTOR:  
(PE48AA1)

NO.: TC86033(2)

**APPROVE SHEET**  
[ Compliance with RoHS ]

PRODUCT: DC BRUSHLESS FAN

USER P/N: \_\_\_\_\_

Parts No.: JF0825B1E-001-019RP5

Printed model number on the stick: JF0825B1E-PR

(SIGNATURE)

JAMICON GROUP  
KAIMEI ELECTRONIC CORP.

|  | CHECKER | DESIGNER |
|--|---------|----------|
|  |         |          |

CUSTOMER: Ropla  
DISTRIBUTOR:  
(PE48AA1)

NO.: TC86033(2)

## APPROVE SHEET

[ Compliance with RoHS ]

PRODUCT: DC BRUSHLESS FAN

USER P/N: \_\_\_\_\_

Parts No.: JF0825B1E-001-019RP5

Printed model number on the stick: JF0825B1E-PR

(SIGNATURE)

JAMICON GROUP  
KAIMEI ELECTRONIC CORP.

|  | CHECKER                                                                              | DESIGNER                                                                              |
|-------------------------------------------------------------------------------------|--------------------------------------------------------------------------------------|---------------------------------------------------------------------------------------|
|                                                                                     |  |  |

## 1. MECHANICAL:

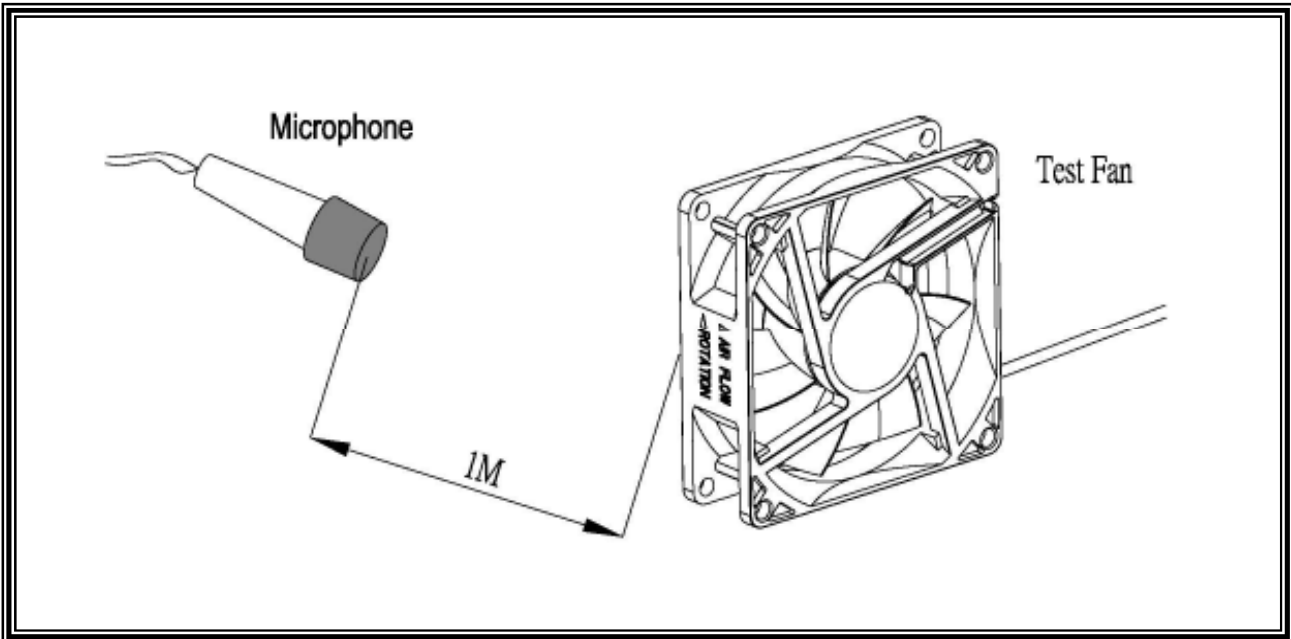
|      |                 |                                                                                                                                                    |
|------|-----------------|----------------------------------------------------------------------------------------------------------------------------------------------------|
| 1-01 | Dimension       | Dimension of fan shall be shown in the outline styling drawing attached.                                                                           |
| 1-02 | Motor           | Four-pole motor.                                                                                                                                   |
| 1-03 | Frame           | Plastic material UL 94V-0 (P.B.T).                                                                                                                 |
| 1-04 | Impeller        | Plastic material UL 94V-0 (P.B.T).                                                                                                                 |
| 1-05 | Free drop shock | In minute package condition, the fan should withstand each one drop of three faces from 30cm distance height onto 10 mm thickness of wooden board. |

## 2.ELECTRICAL:

|      |                         |                                                                                                                                         |
|------|-------------------------|-----------------------------------------------------------------------------------------------------------------------------------------|
| 2-01 | Rated current           | Rated current shall be measured after 30 minutes continuous rotation at rated voltage.                                                  |
| 2-02 | Start voltage           | The voltage that enable to start the fan by sudden switch on.                                                                           |
| 2-03 | Rated Speed             | Rated speed shall be measured after 30 minutes continuous rotation at rated voltage.                                                    |
| 2-04 | Input Power             | Input power shall be measured after 30 minutes continuous rotation at rated voltage.                                                    |
| 2-05 | Lock Current            | Locked current shall be measured Within one minute at rotor locked, after 30 minutes continuous rotation at rated voltage in clear air. |
| 2-06 | Insulation resistance   | More than 10M ohm at 500 V.D.C between lead and housing.                                                                                |
| 2-07 | Dielectric strength     | Measured 5 mA(max) trip current at 700 V.A.C for 3 sec. between lead and housing.                                                       |
| 2-08 | Locked motor protection | Designed to meet UL, CUL and TUV.                                                                                                       |

### 3.CHARACTERISTICS:

|      |                            |                                                                                                                                                                                                |
|------|----------------------------|------------------------------------------------------------------------------------------------------------------------------------------------------------------------------------------------|
| 3-01 | Air Flow & Static Pressure | The air flow data and static pressures should be determined in accordance with AMCA standard or DIM 24163 specification in a double- chamber testing with intake-side measurement.             |
| 3-02 | Noise level                | The measurement of noise level is carried out with reference to DIM 45635 in an echoic chamber with the microphone positioned 1 M from the air intake. Testing fan shall be hung in clean air. |



### 4.ENVIRONMENTAL:

|      |                       |                                                                                                                                                                                            |
|------|-----------------------|--------------------------------------------------------------------------------------------------------------------------------------------------------------------------------------------|
| 4-01 | Operating temperature | -10°C to 70°C (ordinary humidity)                                                                                                                                                          |
| 4-02 | Storage Temperature   | -40°C to 70°C (ordinary humidity)                                                                                                                                                          |
| 4-03 | Humidity              | After 96 hrs, 95% RH 40±2°C per MIL-STD-202F method 103B, Humidity test , The measured data of insulation resistance & dielectric strength should meet the specification listed in attach. |
| 4-04 | Thermal Shock         | After thermal shock test per MIL-STD-202F method 107D, Condition D, The measured data of insulation resistance & dielectric strength should the specification                              |

## 5.DATA-SHEET:

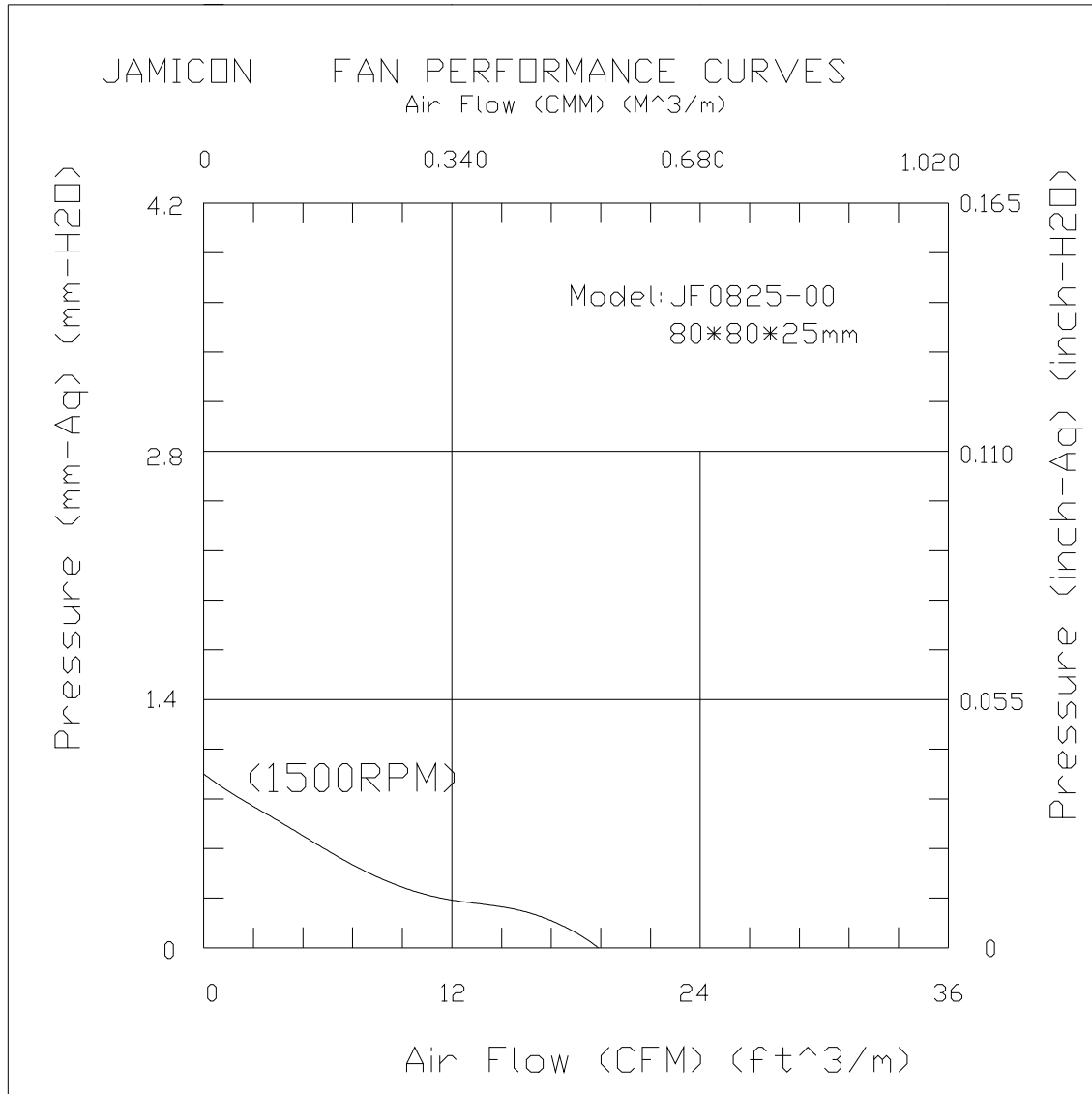
### MODEL JF0825B1E-001-019RP5

#### 5-1. SPECIFICATION:

| NO.    | ITEM                 | SPECIFICATION                                   | UNIT                 | CONDITION                           |
|--------|----------------------|-------------------------------------------------|----------------------|-------------------------------------|
| 5-1-01 | Dimension            | 80*80*25                                        | mm                   | -----                               |
| 5-1-02 | Bearing              | Dual Ball                                       | -----                | -----                               |
| 5-1-03 | Rated Voltage        | 12.0                                            | VDC                  | -----                               |
| 5-1-04 | Operating Voltage    | 10.2 ~ 13.8                                     | VDC                  | -----                               |
| 5-1-05 | Start Voltage        | 6                                               | VDC                  | On/off test                         |
| 5-1-06 | Speed                | 1500                                            | R.P.M                | ±10%,At rated Voltage               |
| 5-1-07 | Input Current        | 0.04                                            | Amp                  | At rated Voltage                    |
| 5-1-08 | Input Power          | 0.48                                            | Watt                 | At rated Voltage                    |
| 5-1-09 | Nominal Current      | 0.06                                            | Amp                  | At rated Voltage                    |
| 5-1-10 | Air Flow             | 19.09                                           | CFM                  | At 0 static Pressure of rated speed |
| 5-1-11 | Static Pressure      | 0.039                                           | inchH <sub>2</sub> O | At 0 air flow of rated speed        |
| 5-1-12 | Noise                | 15.9                                            | dBA                  | At rated speed                      |
| 5-1-13 | Life Expectancy(L10) | 60,000                                          | Hours                | At 40°C&RH65%                       |
| 5-1-14 | Motor protection     | Impedance protected                             |                      |                                     |
| 5-1-15 | Polarity protection  | It will not damage the fan while reverse input. |                      |                                     |
| 5-1-16 | Auto Restart         | NO                                              | -----                | -----                               |
| 5-1-17 | Speed Signal output  | NO                                              | -----                | -----                               |
| 5-1-18 | Alarm Signal output  | NO                                              | -----                | -----                               |
| 5-1-19 | Rotation direction   | From the label side                             | -----                | Clockwise                           |
| 5-1-20 | Weight               | 80                                              | Gram                 | Per each piece                      |
| 5-1-21 | Safety Certificate   | UL, CUL, TUV, CE                                | -----                | -----                               |
| 5-1-22 | IP Rating            | IP55                                            |                      |                                     |

#### 5-2. LEAD WIRE:

| NO.    | ITEM                | CONDITION                                                     |       |  |
|--------|---------------------|---------------------------------------------------------------|-------|--|
| 5-2-01 | AWG NO. & Authorize | 24AWG, UL1007                                                 |       |  |
| 5-2-02 | Color               | ⚡ (1)                                                         | = (2) |  |
|        |                     | Red                                                           | Black |  |
| 5-2-03 | Line Length         | 155±10 mm                                                     |       |  |
| 5-2-04 | Connector           | Notes as:<br>Housing: AMP 1703061-1<br>Terminal: AMP 350706-1 |       |  |



# 風扇振動噪音性能測試報告

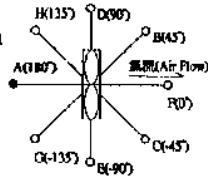
(The Test Report of Fan Vibration and Noise)

風扇型號(Sample Type): **JF0825B1E**  
 基本規格(Properties): DC 12V 7葉 4極 1500RPM

測試日期(Test Date): 2002/9/7 AM 09:49:46  
 測試編號(Test No.): (1)

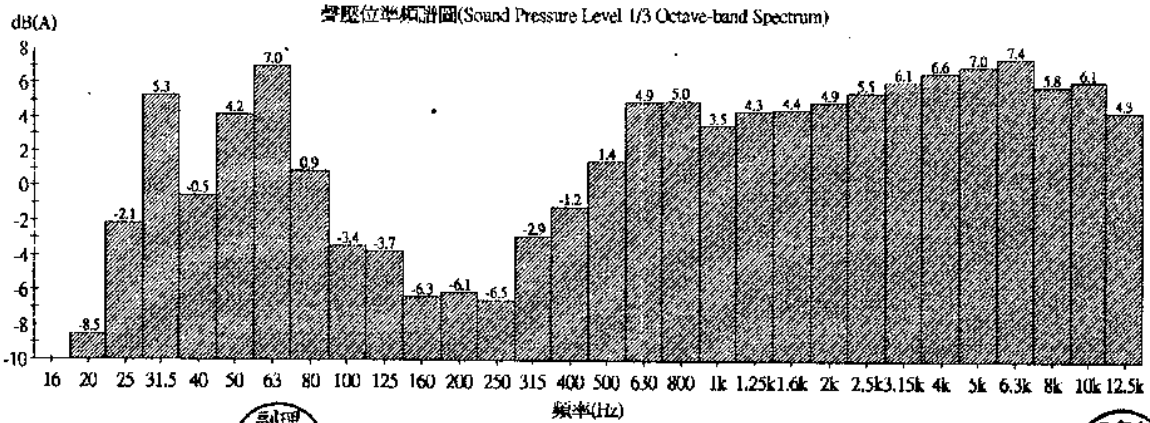
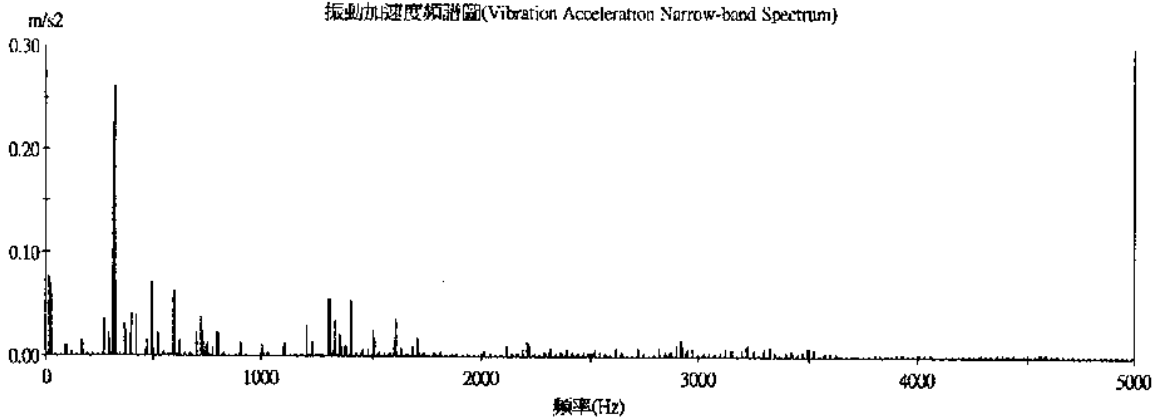
### 測試條件(Test Conditions)


輸入電壓(Input Voltage): 12 V  
 量測時間(Measuring Time): 20 sec  
 麥克風距離(Mic. Distance): 100 cm  
 麥克風角度(Mic. Angle): 180°  
 頻域加權(Freq. Weighting): A  
 時域加權(Time Weighting): SLOW  
 背景噪音(Background Noise): 15.0 dB(A)  
 溫度(Temperature): ℃  
 相對濕度(Relative Humidity): %




### 測試結果(Test Results)

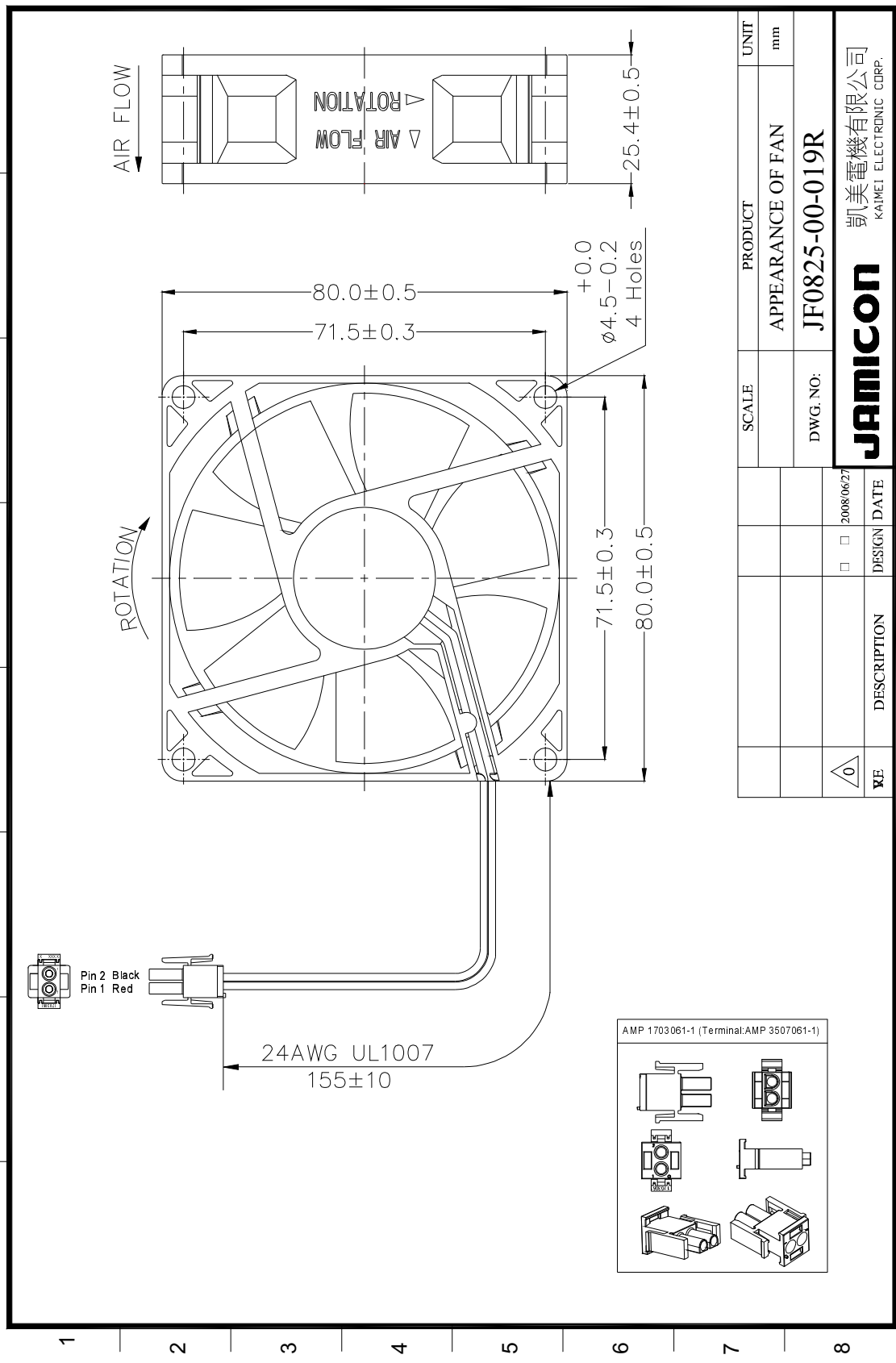
電壓(Passing Voltage):  
 電流(Electric Current):  
 消耗功率(Power Dissipation):  
 轉速(Rotation Speed): 1508 RPM  
 振動量(Vibration Level) (依據 ISO 10816-1)  
 振動速度(Vib. Velocity): 0.55 mm/sec RMS  
 均能聲壓位準(Time-averaged SPL, Leq) (依據 CNS 8753)  
 量測點(At Meas. Point): 18.5 dB(A)  
 1 米處(At 1m Point): 15.9 dB(A)  
 最大聲壓位準(MaxL): 18.8 dB(A)  
 最小聲壓位準(MinL): 16.5 dB(A)



簽核人員(Signatory): 

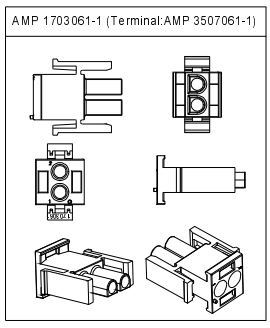
操作員(Operator): Sam-Liao 簽章(Signature): 

A B C D E F G H



| SCALE       | PRODUCT           | UNIT |
|-------------|-------------------|------|
|             | APPEARANCE OF FAN | mm   |
| DWG. NO:    | JF0825-00-019R    |      |
| DESIGN DATE | 2008/06/27        |      |
| DESCRIPTION |                   |      |
| RE          |                   |      |

**JAMICON**  
凯美电机有限公司  
KAMEI ELECTRONIC CORP.







**GPWV2.E156480**  
**Fans, Electric - Component**

Page Bottom

**Fans, Electric - Component**

See General Information for Fans, Electric - Component

**KAIMEI ELECTRONIC CORP**

E156480

131H

81 HSIN-TAI-WU RD, SEC 1

HSICHIH, TAIPEI HSI-FN 221 TAIWAN

**AC fans**, Models JA1203811XX, JA1203822XX, where XX is any character; Model JA1738 followed by H2 or H1; Model JA1238 followed by M2, M1, L2 or L1; Model JA1225 followed by L2 or L1; Models JA0825H1(X1)(X2)(X3), JA0825H2(X1)(X2)(X3), JA0838H1(X1)(X2)(X3), JA0838H2(X1)(X2)(X3), JA0925H1(X1)(X2)(X3), JA0925H2(X1)(X2)(X3), JA1225H1(X1)(X2)(X3), JA1225H2(X1)(X2)(X3), JA1225L1(X1)(X2)(X3), JA1225L2(X1)(X2)(X3), JA1238H1(X1)(X2)(X3), JA1238H2(X1)(X2)(X3), JA1238M1(X1)(X2)(X3), JA1238M2(X1)(X2)(X3), JA1238L1(X1)(X2)(X3), JA1238L2(X1)(X2)(X3), JA1738H1(X1)(X2)(X3), JA1738H2(X1)(X2)(X3), JA1751H1(X1)(X2)(X3), JA1751H2(X1)(X2)(X3), JA0938H1(X1)(X2)(X3), JA0938H2(X1)(X2)(X3), JA2589H1(X1)(X2)(X3), JA2589H2(X1)(X2)(X3), JA1538H1(X1)(X2)(X3), JA1538H2(X1)(X2)(X3), JA1538M1(X1)(X2)(X3), JA1538M2(X1)(X2)(X3), JA1538L1(X1)(X2)(X3), JA1538L2(X1)(X2)(X3), LA1238H1(X1)(X2)(X3), LA1238H2(X1)(X2)(X3), LA1238M1(X1)(X2)(X3), LA1238M2(X1)(X2)(X3), LA1238L1(X1)(X2)(X3), LA1238L2(X1)(X2)(X3), LA0925H1(X1)(X2)(X3), LA0925H2(X1)(X2)(X3), LA0825H1(X1)(X2)(X3), LA0825H2(X1)(X2)(X3), where (X1), (X2), (X3) may be 0 thru 9, A thru Z, "-" or blank.

Models MA0825H2Bzz, MA0825H2Szz, MA0825M2Bzz, MA0825M2Szz, MA0838H2Bzz, MA0838H2Szz, MA0838M2Bzz, MA0838M2Szz, MA0925H2Bzz, MA0925H2Szz, MA0925M2Bzz, MA0925M2Szz, MA0938H2Bzz, MA0938H2Szz, MA0938M2Bzz, MA0938M2Szz, KA0938H2Bzz, KA0938H2Szz, KA0938M2Bzz, KA0938M2Szz, MA1225H2Bzz, MA1225H2Szz, MA1225M2Bzz, MA1225M2Szz, KA1338H2Bzz, KA1338H2Szz, KA1338M2Bzz, KA1338M2Szz, KA1338L2Bzz, KA1338L2Szz, MA1338H2Bzz, MA1338H2Szz, MA1338M2Bzz, MA1338M2Szz, MA2260H2Bzz, MA0825H1Bzz, MA0825H1Szz, MA0825M1Bzz, MA0825M1Szz, MA0838H1Bzz, MA0838H1Szz, MA0838M1Bzz, MA0838M1Szz, MA0925H1Bzz, MA0925H1Szz, MA0925M1Bzz, MA0925M1Szz, MA0938H1Bzz, MA0938H1Szz, MA0938M1Bzz, MA0938M1Szz, KA0938H1Bzz, KA0938H1Szz, KA0938M1Bzz, KA0938M1Szz, MA1225H1Bzz, MA1225H1Szz, MA1225M1Bzz, MA1225M1Szz, KA1338H1Bzz, KA1338H1Szz, KA1338M1Bzz, KA1338M1Szz, MA1338H1Bzz, MA1338H1Szz, MA1338M1Bzz, MA1338M1Szz, MA2260H1Bzz.

Models JA1751H1, JA1751H2, JA1738H1, JA1238H2, JA1238-1H1, JA1238-1H2, JA1225H1, JA1225H2, JA0925H1, JA0925H2, JA0838H1, JA0838H2, JA0825H1, JA0825H2.

Model KAX (A) (B) X<sub>1</sub> and/or X<sub>2</sub>, where X may be 0825, 0838, 0925, 1225, 1238 or 1751, (A) may be H1, H2, M1, M2, L1 or L2, (B) may be B or S and X<sub>1</sub>, X<sub>2</sub> may be 0 thru 9, A thru Z, blank or "-"; Model MAX (A) (B) X<sub>1</sub> and/or X<sub>2</sub>, where X may be 1238, 1538, 1738, 1751, 1/55 or 2589, (A) may be H1, H2, M1 or M2, (B) may be B, S and X<sub>1</sub>, X<sub>2</sub> may be 0 thru 9, A thru Z or "-".

**DC fans** Models JF0207, JF0307, JF0407 followed by B or S, followed by -1HX, -1LX, -1MX, -5HX, -5LM or -5MX; Model JF0210 followed by B, C or S, followed by -5LXXX; Model JF0410 followed by B, C or S, followed by -1XXX, -1MXXX, -1HXXX or -5MXXX; Model JF0413 followed by B, C, H, F or S, followed by -1MXXX or -1HXXX; Model JF0512 followed by B, C or S, followed by -1LXXX or -1MXXX; Model JF0615 followed by B, C or S, followed by -1HXXX, -1LXXX or -1MXXX, -1EXXX, -1VXXX; Model JF0620 followed by B, C, H, F or S, followed by 1VXXX, -1EXXX, 1LXXX, -1MXXX, -1HXXX, -2VXXX, 2EXXX, -2LXXX, -2HXXX or -2MXXX; Model JF0625 followed by B, C, H, F or S, followed by -1VXXX, -1EXXX, -1LXXX, -1MXXX, 1HXXX, -2VXXX, -2EXXX, -2LXXX, -2MXXX or -2HXXX; Model JF0825 followed by B, C or S, followed by -1EXXX, -1LXXX, -1MXXX, -1HXXX, -2EXXX, -2LXXX, -2MXXX or -2HXXX; where "X" may be 0 thru 9, A thru Z, "-" or blank; Model JF0925 followed by B, C or S, followed by 1EXXX, -1LXXX, -1MXXX, -1HXXX, 2EXXX, -2LXXX, -2MXXX or -2HXXX; Model JF1225 followed by B, C or S, followed by -1EXXX -1LXXX, -1MXXX, 1HXXX, -2EXXX, -2LXXX, -2MXXX or -2HXXX; Model JH0410S1.

Models JF0210, JF0410, JF0510 followed by B or S, may be followed by 1H, 1M, 1L, 5L, 5M.

Model JF0615(X)2(Y)XXX, where (X) may be S, B or C and (Y) may be H, M, L, F or V.

Models JF0210(X)1H(Y), JF0210(X)1M(Y), JF0210(X)5H(Y), JF0210(X)5L(Y), JF0210(X)5M(Y), where (X) may be B, C or S and (Y) may be 0 thru 9, A thru Z or blank.

Models JF0310(X)1H(Y), JF0310(X)1L(Y), JF0310(X)1M(Y), JF0310(X)5H(Y), JF0310(X)5L(Y), JF0310(X)5M(Y), where (X) may

be B, C or S and (Y) may be 0 thru 9, A thru Z or blank.

Models JF0A08(X)5H(Y), JF0A08(X)5L(Y), JF0A08(X)5M(Y), where (X) may be B, C or S and (Y) may be 0 thru 9, A thru Z or blank.

Models JF0B10(X)1H(Y), JF0B10(X)1L(Y), JF0B10(X)1M(Y), JF0B10(X)5H(Y), JF0B10(X)5L(Y), JF0B10(X)5M(Y), where (X) may be B, C or S and (Y) may be 0 thru 9, A thru Z or blank.

Model JF1751(X)4S(Y), where (X) may be B, C or S and (Y) may be 0 thru 9, A thru Z or blank.

Models KF0210S5L, KF0210S5M, KF0210S5H, KF0210B5L, KF0210B5M, KF0210B5H, KF0210B5LD, KF0210B5MD, KF0210B5HD, KF0310S5L, KF0310S5M, KF0310B5L, KF0310B5M, KF0310B5H, KF0310B5LD, KF0310B5MD, KF0310B5HD, KF0410S5L, KF0410S5M, KF0410S5H, KF0410B5L, KF0410B5M, KF0410B5H, KF0410B5LD, KF0410B5MD, KF0410B5HD, KF0306S1M, KF0306S1H, KF0306B1M, KF0306B1H, KF0406S1M, KF0406S1H, KF0406B1M, KF0406B1H, KF0409S1L, KF0409S1M, KF0409S1H, KF0409B1L, KF0409B1M, KF0409B1H, KF0409B1LD, KF0409B1MD, KF0409B1HD, KF0510S1L, KF0510S1M, KF0510S1H, KF0510B1L, KF0510B1M, KF0510B1H, KF0510B1LD, KF0510B1MD, KF0510B1HD, KB3508S1M, KB3508B1M, KB3508B1H, KB4509S1M, KB4509S1H, KB4509B1M, KB4509B1H, KF0410B5M, KF0410B5H, KF0410B5LD, KF0410B5MD, KF0410B5HD, KF0306S5M, KF0306S5H, KF0306B5M, KF0306B5H, KF0406S5M, KF0406S5H, KF0406B5M, KF0406B5H, KF0409S5L, KF0409S5M, KF0409S5H, KF0409B5L, KF0409B5M, KF0409B5H, KF0409B5LD, KF0409B5MD, KF0409B5HD, KF0509S5L, KF0509S5M, KF0509S5H, KF0509B5L, KF0509B5M, KF0509B5H, KF0509B5LD, KF0509B5MD, KF0509B5HD, KB3508S5M, KB3508S5H, KB3508B5M, KB3508B5H, KB4509S5M, KB4509S5H, KB4509B5M, KB4509B5H, KF0210S1L, KF0210S1M, KF0210S1H, KF0210B1L, KF0210B1M, KF0210B1H, KF0210H5L, KF0210H5M, KF0210H5H, KF0210F5L, KF0210F5M, KF0210F5H, KF0210H1L, KF0210H1M, KF0210H1H, KF0210F1L, KF0210F1M, KF0210F1H, KF0310H5L, KF0310H5M, KF0310H5H, KF0310F5L, KF0310F5M, KF0310F5H, KF0310H1L, KF0310H1M, KF0310H1H, KF0310F1L, KF0310F1M, KF0310F1H, KF0410H1L, KF0410H1M, KF0410H1H, KF0410F1L, KF0410F1M, KF0410F1H, KF0410H5L, KF0410H5M, KF0410H5H, KF0410F5L, KF0410F5M, KF0410F5H, KF0510C1H, KF0510H1M, KF0510H1H, KF0510H1L, KF0510F1L, KF0510F1M, KF0510F1H. All models may have optional suffix "x4x5x6", where "x4", "x5", and "x6" may be A Z, 0 9, "-" or blank.

Model KF0xyz, where x may be 420, 515 or 610, y may be B1, B2, B5, S1, S2 or S5 and z may be H, HC, HD, HS, L, LC, LD, LS, M, MC, MD or MS; Model KF123xyz, where x may be 2 or 8, y may be B1, B2, B5, S1, S2 or S4 and z may be H, HA, L, LA, M or MA; Model MF0xyz where x may be 410 or 510, y may be B1, B5, S1 or S5 and z may be H, HC, HD, HS, L, LC, LD, LS, M, MC, MD or MS.

Models KF0210S5L, KF0210S5M, KF0210S5H, KF0210B5L, KF0210B5M, KF0210B5H, KF0210C5L, KF0210C5M, KF0210C5H, KF0210S1L, KF0210S1M, KF0210S1H, KF0210B1L, KF0210B1M, KF0210B1H, KF0210C1L, KF0210C1M, KF0210C1H, KF0310S5L, KF0310S5M, KF0310S5H, KF0310B5L, KF0310B5M, KF0310B5H, KF0310C5L, KF0310C5M, KF0310C5H, KF0310S1L, KF0310S1M, KF0310S1H, KF0310B1L, KF0310B1M, KF0310B1H, KF0310C1L, KF0310C1M, KF0310C1H, KF0410S5L, KF0410S5M, KF0410S5H, KF0410B5L, KF0410B5M, KF0410B5H, KF0410C5L, KF0410C5M, KF0410C5H, KF0410S1L, KF0410S1M, KF0410S1H, KF0410B1L, KF0410B1M, KF0410B1H, KF0410C1L, KF0410C1M, KF0410C1H, KF0410S5L, KF0410S5M, KF0410S5H, KF0410B5L, KF0410B5M, KF0410B5H, KF0410C5L, KF0410C5M, KF0410C5H, KF0510S5L, KF0510S5M, KF0510S5H, KF0510B5L, KF0510B5M, KF0510B5H, KF0510C5L, KF0510C5M, KF0510C5H. All models may have optional suffix "x4x5x6", where "x4", "x5" and "x6" may be A thru Z, 0 thru 9, "-" or blank.

Models KF0306S1M, KF0306S1H, KF0306C1H, KF0306C1S, KF0306S5M, KF0306S5H, KF0306C5M, KF0306C5H, KF0409S1L, KF0409S1M, KF0409S1H, KF0409B1L, KF0409B1M, KF0409B1H, KF0409C1L, KF0409C1M, KF0409C1H, KF0409S5L, KF0409S5M, KF0409S5H, KF0409B5L, KF0409B5M, KF0409B5H, KF0409C5L, KF0409C5M, KF0409C5H, KF0509S5M, KF0509S5H, KF0509B5L, KF0509B5M, KF0509B5H, KF0509C5L, KF0509C5M, KF0509C5H. All models may have optional suffix "x4x5x6", where "x4", "x5" and "x6" may be A thru Z, 0 thru 9, "-" or blank.

Models KF0510S5L, KF0510S5M, KF0510S5H, KF0510C5L, KF0510C5M, KF0510C5H, KF0510B5L, KF0510B5M, KF0510B5H, KF0515S5H, KF0515S5M, KF0515S5L, KF0515C5L, KF0515C5M, KF0515C5H, KF0515B5L, KF0515B5M, KF0515B5H, KF0509B1H, KF0509B1M, KF0509B1L, KF0509S1H, KF0509S1M, KF0509S1L, KF0509C1H, KF0509C1L, KF0509C1M, KF0515S1L, KF0515S1M, KF0515S1H, KF0515C1L, KF0515C1M, KF0515C1H, KF0515B1L, KF0515B1M, KF0515B1H, KF0625S1L, KF0625S1M, KF0625S1H, KF0625C1L, KF0625C1M, KF0625C1H, KF0625B1L, KF0625B1M, KF0625B1H, KF0510F5L, KF0510F5M, KF0510F5H, KF0510H5L, KF0510H5M, KF0510H5H. All models may have optional suffix "x4x5x6", where "x4", "x5" and "x6" may be A thru Z, 0 thru 9, "-" or blank.

Models KF0407C1H, KF0407S1H, KF0407C1M, KF0407S1M, KF0407C5H, KF0407S5H, KF0407C5M, KF0407S5M, KF0C07C1H, KF0C07S1H, KF0C07C1M, KF0C07S1M, KF0C07C5H, KF0C07S5H, KF0C07C5M, KF0C07S5M, KF0420B1L, KF0420S1L, KF0420B1M, KF0420S1M, KF0420B1H, KF0420S1H, KF0420B5L, KF0420S5L, KF0420B5M, KF0420S5M, KF0420B5H, KF0420S5H, KF0610S1H, KF0610C1H, KF0610B1H, KF0610C1M, KF0610B1M, KF0610S1M, KF0610C1L, KF0610B1L, KF0610S1L, KF0420C1L, KF0420H1L, KF0420F1L, KF0420C1M, KF0420H1M, KF0420F1M, KF0420C5H, KF0420H5H, KF0420F5H, KF0420C5L, KF0420H5L, KF0420F5L, KF0420C5M, KF0420H5M, KF0420F5M, KF0420C5H, KF0420H5H, KF0420F5H, KF0610H1H, KF0610H1M, KF0610H1L, KF0610F1H, KF0610F1M, KF0610F1L. All models may have optional suffix "x4x5x6", where "x4", "x5" and "x6" may be A thru Z, 0 thru 9, "-" or blank.

Models JF0515(A)1(B)XXX, JF0515(A)2(B)XXX, JF0615(A)5(C)XXX, JF0615(A)1(D)XXX, JF0615(A)2(D)XXX, JF0620(A)1(D)XXX, JF0620(A)2(D)XXX, JF0625(A)1(F)XXX, JF0625(A)2(E)XXX, JF0625(A)4(F)XXX, JF0825(A)1(D)XXX, JF0825(A)2(C)XXX, JF0825(A)4(G)XXX, JF0925(A)1(D)XXX, JF0925(A)2(D)XXX, JF0925(A)4(I)XXX, JF1225(A)1(D)XXX, JF1225(A)2(D)XXX, JF1225(A)4(F)XXX, where (A) may be B, C or S, (B) may be H, M, L or E, (C) may be H, M, L, E or V, (D) may be U or S, (F) may be T, U or S, (F) may be U, S, H, M, L or E, (G) may be U, S, H, M or L, (H) may be S, H, M or L, (I) may be S, H, M, L or E and "X" may be 0 thru 9, A thru Z, blank or "-", (A1) may be B, C, S, H or F.

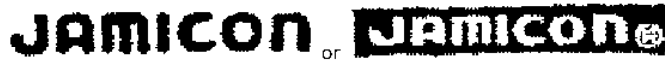
Models KF0420(A)2(B)(C), KF1225(A)1(D)(C), where (A) may be B, S, C, F or H, (B) may be L, M, H or S, (D) may be V, E, L, M or H and (C) may be XXX, where X may be 0 thru 9, A thru Z, "-" or blank.

Models LF0825(a)1(c)(f)(g)(h)(i)(j), LF0925(b)1(d)(f)(g)(h)(i)(j) and LF1225(b)1(e)(f)(g)(h)(i)(j) series, where (a) may be S, B or C; (b) may be S or B; (c) may be S, H, M, L or E; (d) may be H, M, L or E; (e) may be H, M, L, E or V; (f) may be "-" or 0 thru 9 or A thru Z; (g) may be 0 thru 4; (h) may be "-" or 0 thru 9 or A thru Z; (i) may be blank, "-" or 0 thru 9 or A thru Z; (j) may be blank, "-" or 0 thru 9 or A thru Z.

**AC component fans**, Models JA1238(a)(c)(b)(x)(y), JA1238HD(b)(x)(y), KA1238(a)(c)(b)(x)(y) and KA1238HD(b)(x)(y) series, where (a) may be H, M or L; (c) may be 1 or 2; (b) may be B or S; (x) and (y) may be blank, "-", 0~9 or A~Z.

**DC Component Fans**, Models KF0B10(b)5(r1)(xy)(z), KF0B10(b)1(r1)(xy)(z), KF0410(b)2(r6)(xy)(z), KF0510(b)2(r2)(xy)(z), KF0610(b)5(r3)(xy)(z), KF0615(b)5(r3)(xy)(z), KF0615(b)1(r4)(xy)(z), KF0615(b)2(r4)(xy)(z), KF0620(b)1(r5)(xy)(z), KF0620(b)2(r5)(xy)(z), KF0715(b)1(r5)(xy)(z), KF0715(b)1(r2)(xy)(z), KF0820(b)1(r7)(xy)(z), KF0820(b)2(r7)(xy)(z), KF1225(b)2(r2)(xy)(z), JF0815(b)1(r8)(xy)(z), JF0815(b)2(r8)(xy)(z), JF1238(b)1(r1)(xy)(z), JF1238(b)2(r1)(xy)(z) and JF1238(b)4(r6)(xy)(z) series, where (b) may be S, B, C, H or F; (r1) may be S, H, M, L or E; (r2) may be H, M or L; (r3) may be M, L, E or V; (r4) may be U, S, H, M, L, E or V; (r5) may be S, H, M, L, E or V; (r6) may be S, H, M or L; (r7) may be U, S, H, M, L or E; (r8) may be U, S, H, M or L; (xy) is alphanumeric combination of two digits and/or alphabets, each may be blank, "-", A through Z or 0 through 9; (z) may be blank, "-", A through Z or 0 through 9.

**AC component fans**, Models JA1225H1(b)(x)(y), JA1225L1(b)(x)(y), JA0925H1(b)(x)(y), JA0838H1(b)(x)(y), JA0825H1(b)(x)(y), JA1225H2(b)(x)(y), JA1225L2(b)(x)(y), JA0925H2(b)(x)(y), JA0838H2(b)(x)(y), JA0825H2(b)(x)(y) series, where (b) may be B or S; (x) and (y) may be blank, "-", 0~9 or A~Z.



Marking: Company name, "E156480", trademark and model designation.

Last Updated on 2006-12-12

[Questions?](#)

[Notice of Disclaimer](#)

[Page Top](#)

Copyright © 2007 Underwriters Laboratories Inc.®

The appearance of a company's name or product in this database does not in itself assure that products so identified have been manufactured under UL's Follow-Up Service. Only those products bearing the UL Mark should be considered to be listed and covered under UL's Follow-Up Service. Always look for the Mark on the product.

UL permits the reproduction of the material contained in the Online Certification Directory subject to the following conditions: 1. The Guide Information, Designs and/or Listings (files) must be presented in their entirety and in a non-misleading manner, without any manipulation of the data (or drawings). 2. The statement "Reprinted from the Online Certifications Directory with permission from Underwriters Laboratories Inc." must appear adjacent to the extracted material. In addition, the reprinted material must include a copyright notice in the following format: "Copyright © 2007 Underwriters Laboratories Inc.®"







GPWV8.E156480

Fans, Electric Certified for Canada - Component

Page Bottom

Fans, Electric Certified for Canada - Component

See General Information for Fans, Electric Certified for Canada - Component

KAIMEI ELECTRONIC CORP

E156480

13TH

81 HSIN-TAI-WU RD, SEC 1

HSICHIH, TAIPPEI HSIEN 221 TAIWAN

AC fans, Models JA1203811XX, JA1203822XX, where XX is any character; Model JA1738 followed by H2 or H1; Model JA1238 followed by M2, M1, L2 or L1; Model JA1225 followed by L2 or L1; Models JA0825H1(X1)(X2)(X3), JA0825H2(X1)(X2)(X3), JA0838H1(X1)(X2)(X3), JA0838H2(X1)(X2)(X3), JA0925H1(X1)(X2)(X3), JA0925H2(X1)(X2)(X3), JA1225H1(X1)(X2)(X3), JA1225H2(X1)(X2)(X3), JA1225L1(X1)(X2)(X3), JA1225L2(X1)(X2)(X3), JA1238H1(X1)(X2)(X3), JA1238H2(X1)(X2)(X3), JA1238M1(X1)(X2)(X3), JA1238M2(X1)(X2)(X3), JA1238L1(X1)(X2)(X3), JA1238L2(X1)(X2)(X3), JA1738H1(X1)(X2)(X3), JA1738H2(X1)(X2)(X3), JA1751H1(X1)(X2)(X3), JA1751H2(X1)(X2)(X3), JA0938H1(X1)(X2)(X3), JA0938H2(X1)(X2)(X3), JA2589H1(X1)(X2)(X3), JA2589H2(X1)(X2)(X3), JA1538H1(X1)(X2)(X3), JA1538H2(X1)(X2)(X3), JA1538M1(X1)(X2)(X3), JA1538M2(X1)(X2)(X3), JA1538L1(X1)(X2)(X3), JA1538L2(X1)(X2)(X3), LA1238H1(X1)(X2)(X3), LA1238H2(X1)(X2)(X3), LA1238M1(X1)(X2)(X3), LA1238M2(X1)(X2)(X3), LA1238L1(X1)(X2)(X3), LA1238L2(X1)(X2)(X3), LA0925H1(X1)(X2)(X3), LA0925H2(X1)(X2)(X3), LA0825H1(X1)(X2)(X3), LA0825H2(X1)(X2)(X3), where (X1), (X2), (X3) may be 0 thru 9, A thru Z, "-" or blank.

Models MA0825H2Bzz, MA0825H2Szz, MA0825M2Bzz, MA0825M2Szz, MA0838H2Bzz, MA0838H2Szz, MA0838M2Bzz, MA0838M2Szz, MA0925H2Bzz, MA0925H2Szz, MA0925M2Bzz, MA0925M2Szz, MA0938H2Bzz, MA0938H2Szz, MA0938M2Bzz, MA0938M2Szz, KA0938H2Bzz, KA0938H2Szz, KA0938M2Bzz, KA0938M2Szz, MA1225H2Bzz, MA1225H2Szz, MA1225M2Bzz, MA1225M2Szz, KA1338H2Bzz, KA1338H2Szz, KA1338M2Bzz, KA1338M2Szz, KA1338L2Bzz, KA1338L2Szz, MA1338H2Bzz, MA1338H2Szz, MA1338M2Bzz, MA1338M2Szz, MA2260H2Bzz, MA0825H1Bzz, MA0825H1Szz, MA0825M1Bzz, MA0825M1Szz, MA0838H1Bzz, MA0838H1Szz, MA0838M1Bzz, MA0838M1Szz, MA0925H1Bzz, MA0925H1Szz, MA0925M1Bzz, MA0925M1Szz, MA0938H1Bzz, MA0938H1Szz, MA0938M1Bzz, MA0938M1Szz, KA0938H1Bzz, KA0938H1Szz, KA0938M1Bzz, KA0938M1Szz, MA1225H1Bzz, MA1225H1Szz, MA1225M1Bzz, MA1225M1Szz, KA1338H1Bzz, KA1338H1Szz, KA1338M1Bzz, KA1338M1Szz, MA1338L1Bzz, MA1338L1Szz, MA1338H1Bzz, MA1338H1Szz, MA1338M1Bzz, MA1338M1Szz, MA2260H1Bzz.

Models JA1751H1, JA1751H7, JA1238H1, JA1238H2, JA1238-1H1, JA1238-1H2, JA1225H1, JA1225H2, JA0925H1, JA0925H2, JA0838H1, JA0838H2, JA0825H1, JA0825H2.

Model KAX (A) (B) X1 and/or X2, where X may be 0825, 0838, 0925, 1225, 1238 or 1751, (A) may be H1, H2, M1, M2, L1 or L2, (B) may be B or S and X1, X2 may be 0 thru 9, A thru Z, blank or "-"; Model MAX (A) (B) X1 and/or X2, where X may be 1238, 1538, 1738, 1751, 1755 or 2589, (A) may be H1, H2, M1 or M2, (B) may be B, S and X1, X2 may be 0 thru 9, A thru Z or "-".

DC fans Models JF0202, JF0307, JF0407 followed by B or S, followed by -1HX, -1LX, -1MX, -5HX, -5LM or -5MX; Model JF0210 followed by B, C or S, followed by -5LXXX; Model JF0410 followed by B, C or S, followed by -1XXX, -1MXXX, 1HXXX or -5MXXX; Model JF0413 followed by B, C or S, followed by -1MXXX or -1HXXX; Model JF0512 followed by B, C or S, followed by 1LXXX or -1MXXX; Model JF0615 followed by B, C or S, followed by -1HXXX, -1LXXX or -1MXXX, -1EXXX, -1VXXX; Model JF0620 followed by B, C or S, followed by 1VXXX, -1EXXX, 1LXXX, 1MXXX, 1HXXX, -2VXXX, -2EXXX, -2LXXX, -2HXXX or 2MXXX; Model JF0625 followed by B, C or S, followed by -1VXXX, -1EXXX, -1LXXX, -1MXXX, 1HXXX, -2VXXX, -2EXXX, -2LXXX, -2MXXX or 2HXXX; Model JF0825 followed by B, C or S, followed by -1EXXX, -1LXXX, -1MXXX, -1HXXX, -2EXXX, -2LXXX, -2MXXX or -2HXXX; where "X" may be 0 thru 9, A thru Z, "-" or blank; Model JF0925 followed by B, C or S, followed by 1EXXX, 1LXXX, 1MXXX, -1HXXX, -2EXXX, -2LXXX, 2MXXX or -2HXXX; Model JF1225 followed by B, C or S, followed by -1EXXX -1LXXX, -1MXXX, -1HXXX, -2EXXX, -2LXXX, -2MXXX or -2HXXX; Model JH041051.

Models JF0210, JF0410, JF0510 followed by B or S, may be followed by 1H, 1M, 1L, 5L, 5M.

Model JF0615(X)2(Y)XXX, where (X) may be S, B or C and (Y) may be H, M, L, E or V.

Models JF0210(X)1H(Y), JF0210(X)1M(Y), JF0210(X)5H(Y), JF0210(X)5L(Y), JF0210(X)5M(Y), where (X) may be B, C or S and (Y) may be 0 thru 9, A thru Z or blank.

Models JF0310(X)1H(Y), JF0310(X)1L(Y), JF0310(X)1M(Y), JF0310(X)5H(Y), JF0310(X)5L(Y), JF0310(X)5M(Y), where (X) may

bc B, C or S and (Y) may be 0 thru 9, A thru Z or blank.

Models JF0A08(X)5H(Y), JF0A08(X)5L(Y), JF0A08(X)5M(Y), where (X) may be B, C or S and (Y) may be 0 thru 9, A thru Z or blank.

Models JF0B10(X)1H(Y), JF0B10(X)1L(Y), JF0B10(X)1M(Y), JF0B10(X)5H(Y), JF0B10(X)5L(Y), JF0B10(X)5M(Y), where (X) may be B, C or S and (Y) may be 0 thru 9, A thru Z or blank.

Model JF1751(X)4S(Y), where (X) may be B, C or S and (Y) may be 0 thru 9, A thru Z or blank.

Models KF0210S5L, KF0210S5M, KF0210S5H, KF0210B5L, KF0210B5M, KF0210B5H, KF0210B5LD, KF0210B5MD, KF0210B5HD, KF0310S5L, KF0310S5M, KF0310S5H, KF0310B5L, KF0310B5M, KF0310B5H, KF0310B5LD, KF0310B5MD, KF0310B5HD, KF0410S5L, KF0410S5M, KF0410S5H, KF0410B1L, KF0410B1M, KF0410B1H, KF0410B1LD, KF0410B1MD, KF0410B1HD, KF0306S1M, KF0306S1H, KF0306B1M, KF0306B1H, KF0406S1M, KF0406S1H, KF0406B1M, KF0406B1H, KF0409S1L, KF0409S1M, KF0409S1H, KF0409B1L, KF0409B1M, KF0409B1H, KF0409B1LD, KF0409B1MD, KF0409B1HD, KF0510S1L, KF0510S1M, KF0510S1H, KF0510B1L, KF0510B1M, KF0510B1H, KF0510B1LD, KF0510B1MD, KF0510B1HD, KB3508S1M, KB3508S1H, KB3508B1M, KB3508B1H, KB4509S1M, KB4509S1H, KB4509B1M, KB4509B1H, KF0410B5M, KF0410B5H, KF0410B5LD, KF0410B5MD, KF0410B5HD, KF0306S5M, KF0306S5H, KF0306B5M, KF0306B5H, KF0406S5M, KF0406S5H, KF0406B5M, KF0406B5H, KF0409S5L, KF0409S5M, KF0409S5H, KF0409B5L, KF0409B5M, KF0409B5H, KF0409B5LD, KF0409B5MD, KF0409B5HD, KF0509S5L, KF0509S5M, KF0509S5H, KF0509B5L, KF0509B5M, KF0509B5H, KF0509B5LD, KF0509B5MD, KF0509B5HD, KB3508S5M, KB3508S5H, KB3508B5M, KB3508B5H, KB4509S5M, KB4509S5H, KB4509B5M, KB4509B5H, KF0210S1L, KF0210S1M, KF0210S1H, KF0210B1L, KF0210B1M, KF0210B1H, KF0210H5L, KF0210H5M, KF0210H5H, KF0210F5L, KF0210F5M, KF0210F5H, KF0210H1L, KF0210H1M, KF0210H1H, KF0210F1L, KF0210F1M, KF0210F1H, KF0310H5L, KF0310H5M, KF0310H5H, KF0310F5L, KF0310F5M, KF0310F5H, KF0310H1L, KF0310H1M, KF0310H1H, KF0310F1L, KF0310F1M, KF0310F1H, KF0410H1L, KF0410H1M, KF0410H1H, KF0410F1L, KF0410F1M, KF0410F1H, KF0410H5L, KF0410H5M, KF0410H5H, KF0410F5L, KF0410F5M, KF0410F5H, KF0510C1L, KF0510C1M, KF0510C1H, KF0510H1L, KF0510H1M, KF0510H1H, KF0510F1L, KF0510F1M, KF0510F1H. All models may have optional suffix "x4x5x6", where "x4", "x5", and "x6" may be A-Z, 0-9, "-" or blank.

Model KF0xyz, where x may be 420, 515 or 610, y may be B1, B2, B5, S1, S2 or S5 and z may be H, HC, HD, HS, L, LC, LD, LS, M, MC, MD or MS; Model KF123xyz, where x may be 2 or 8, y may be B1, B2, B5, S1, S2 or S4 and z may be H, HA, L, LA, M or MA; Model MF0xyz where x may be 410 or 510, y may be B1, B5, S1 or S5 and z may be H, HC, HD, HS, L, LC, LD, LS, M, MC, MD or MS.

Models KF0210S5L, KF0210S5M, KF0210S5H, KF0210B5L, KF0210B5M, KF0210B5H, KF0210C5L, KF0210C5M, KF0210C5H, KF0210S1L, KF0210S1M, KF0210S1H, KF0210B1L, KF0210B1M, KF0210B1H, KF0210C1L, KF0210C1M, KF0210C1H, KF0310S5L, KF0310S5M, KF0310S5H, KF0310B5L, KF0310B5M, KF0310B5H, KF0310C5L, KF0310C5M, KF0310C5H, KF0310S1L, KF0310S1M, KF0310S1H, KF0310B1L, KF0310B1M, KF0310B1H, KF0310C1L, KF0310C1M, KF0310C1H, KF0410S1L, KF0410S1M, KF0410S1H, KF0410B1L, KF0410B1M, KF0410B1H, KF0410C1L, KF0410C1M, KF0410C1H, KF0410S5L, KF0410S5M, KF0410S5H, KF0410B5L, KF0410B5M, KF0410B5H, KF0410C5L, KF0410C5M, KF0410C5H, KF0510S1L, KF0510S1M, KF0510S1H, KF0510B1L, KF0510B1M, KF0510B1H, KF0510C1L, KF0510C1M, KF0510C1H. All models may have optional suffix "x4x5x6", where "x4", "x5" and "x6" may be A thru Z, 0 thru 9, "-" or blank.

Models KF0510S5L, KF0510S5M, KF0510S5H, KF0510C5L, KF0510C5M, KF0510C5H, KF0510B5L, KF0510B5M, KF0510B5H, KF0515S5L, KF0515S5M, KF0515S5H, KF0515C5L, KF0515C5M, KF0515C5H, KF0515B5L, KF0515B5M, KF0515B5H, KF0509B1L, KF0509B1M, KF0509B1H, KF0509S1L, KF0509S1M, KF0509S1H, KF0509C1L, KF0509C1M, KF0509C1H, KF0515S1L, KF0515S1M, KF0515S1H, KF0515C1L, KF0515C1M, KF0515C1H, KF0515B1L, KF0515B1M, KF0515B1H, KF0625S1L, KF0625S1M, KF0625S1H, KF0625C1L, KF0625C1M, KF0625C1H, KF0625B1L, KF0625B1M, KF0625B1H, KF0510F5L, KF0510F5M, KF0510F5H, KF0510H5L, KF0510H5M, KF0510H5H. All models may have optional suffix "x4x5x6", where "x4", "x5" and "x6" may be A thru Z, 0 thru 9, "-" or blank.

Models KF0407C1H, KF0407S1H, KF0407C1M, KF0407S1M, KF0407C5H, KF0407S5H, KF0407C5M, KF0407S5M, KF0C07C1H, KF0C07S1H, KF0C07C1M, KF0C07S1M, KF0C07C5H, KF0C07S5H, KF0C07C5M, KF0C07S5M, KF0420B1L, KF0420S1L, KF0420B1M, KF0420S1M, KF0420B1H, KF0420S1H, KF0420B5L, KF0420S5L, KF0420B5M, KF0420S5M, KF0420B5H, KF0420S5H, KF0610S1H, KF0610C1H, KF0610B1H, KF0610C1M, KF0610B1M, KF0610S1M, KF0610C1L, KF0610B1L, KF0610S1L, KF0420C1L, KF0420H1L, KF0420F1L, KF0420C1M, KF0420H1M, KF0420F1M, KF0420C1H, KF0420H1H, KF0420F1H, KF0420C5L, KF0420H5L, KF0420F5L, KF0420C5M, KF0420H5M, KF0420F5M, KF0420C5H, KF0420H5H, KF0420F5H, KF0610H1H, KF0610H1M, KF0610H1L, KF0610F1H, KF0610F1M, KF0610F1L. All models may have optional suffix "x4x5x6", where "x4", "x5" and "x6" may be A thru Z, 0 thru 9, "-" or blank.

Models JF0515(A)1(B)XXX, JF0515(A)2(B)XXX, JF0615(A)5(C)XXX, JF0615(A)1(D)XXX, JF0615(A)2(D)XXX, JF0620(A)1(D)XXX, JF0620(A)2(D)XXX, JF0625(A)1(E)XXX, JF0625(A)2(E)XXX, JF0625(A)4(F)XXX, JF0825(A)1(D)XXX, JF0825(A)2(E)XXX, JF0825(A)4(G)XXX, JF0925(A)1(D)XXX, JF0925(A)2(D)XXX, JF0925(A)4(I)XXX, JF1225(A)1(D)XXX, JF1225(A)2(D)XXX, JF1225(A)4(F)XXX, where (A) may be B, C or S, (B) may be H, M, L or F, (C) may be H, M, L, E or V, (D) may be U or S, (E) may be T, U or S, (F) may be U, S, H, M, L or E, (G) may be U, S, H, M or L, (H) may be S, H, M or L, (I) may be S, H, M, L or E and "X" may be 0 thru 9, A thru Z, blank or "-", (A1) may be B, C, S, H or F.

Models KF0420(A)2(B)(C), KF1225(A)1(D)(C), where (A) may be B, S, C, F or H, (B) may be L, M, H or S, (D) may be V, E, L, M or H and (C) may be XXX, where X may be 0 thru 9, A thru Z, "-" or blank.

Models LF0825(a)1(c)(f)(g)(h)(i)(j), LF0925(b)1(d)(f)(g)(h)(i)(j) and LF1225(b)1(e)(f)(g)(h)(i)(j) series, where (a) may be S, B or C; (b) may be S or B; (c) may be S, H, M, L or F; (d) may be H, M, L or E; (e) may be H, M, L, E or V; (f) may be "-" or 0

thru 9 or A thru Z; (g) may be 0 thru 4; (h) may be "-" or 0 thru 9 or A thru Z; (i) may be blank, "-" or 0 thru 9 or A thru Z; (j) may be blank, "-" or 0 thru 9 or A thru Z.

**AC component fans**, Models JA1238(a)(c)(b)(x)(y), JA1238HD(b)(x)(y), KA1238(a)(c)(b)(x)(y) and KA1238HD(b)(x)(y) series, where (a) may be H, M or L; (c) may be 1 or 2; (b) may be B or S; (x) and (y) may be blank, "-", 0~9 or A~Z.

**DC Component Fans**, Models KF0B10(b)5(r1)(xy)(z), KF0B10(b)1(r1)(xy)(z), KF0410(b)2(r6)(xy)(z), KF0510(b)2(r2)(xy)(z), KF0610(b)5(r3)(xy)(z), KF0615(b)5(r3)(xy)(z), KF0615(b)1(r4)(xy)(z), KF0615(b)2(r4)(xy)(z), KF0620(b)1(r5)(xy)(z), KF0620(b)2(r5)(xy)(z), KF0715(b)1S(xy)(z), KF0715(b)1(r2)(xy)(z), KF0820(b)1(r7)(xy)(z), KF0820(b)2(r7)(xy)(z), KF1225(b)2(r2)(xy)(z), JF0815(b)1(r8)(xy)(z), JF0815(b)2(r8)(xy)(z), JF1238(b)1(r1)(xy)(z), JF1238(b)2(r1)(xy)(z) and JF1238(b)4(r6)(xy)(z) series, where (b) may be S, B, C, H or F; (r1) may be S, H, M, L or E; (r2) may be H, M or L; (r3) may be M, L, E or V; (r4) may be U, S, H, M, L, E or V; (r5) may be S, H, M, L, E or V; (r6) may be S, H, M or L; (r7) may be U, S, H, M, L or E; (r8) may be U, S, H, M or L; (xy) is alphanumeric combination of two digits and/or alphabets, each may be blank, "-", A through Z or 0 through 9; (z) may be blank, "-", A through Z or 0 through 9.

**AC component fans**, Models JA1225H1(b)(x)(y), JA1225L1(b)(x)(y), JA0925H1(b)(x)(y), JA0838H1(b)(x)(y), JA0825H1(b)(x)(y), JA1225H2(b)(x)(y), JA1225L2(b)(x)(y), JA0925H2(b)(x)(y), JA0838H2(b)(x)(y), JA0825H2(b)(x)(y) series, where (b) may be B or S; (x) and (y) may be blank, "-", 0~9 or A~Z.



Marking: Company name, model designation and Recognized Component Mark for Canada, Last Updated on 2006-12-12

[Questions?](#)

[Notice of Disclaimer](#)

[Page Top](#)

Copyright © 2007 Underwriters Laboratories Inc.®

The appearance of a company's name or product in this database does not in itself assure that products so identified have been manufactured under UL's Follow-Up Service. Only those products bearing the UL Mark should be considered to be Listed and covered under UL's Follow-Up Service. Always look for the Mark on the product.

UL permits the reproduction of the material contained in the Online Certification Directory subject to the following conditions: 1. The Guide Information, Designs and/or Listings (files) must be presented in their entirety and in a non-misleading manner, without any manipulation of the data (or drawings). 2. The statement "Reprinted from the Online Certifications Directory with permission from Underwriters Laboratories Inc." must appear adjacent to the extracted material. In addition, the reprinted material must include a copyright notice in the following format: "Copyright © 2007 Underwriters Laboratories Inc.®"





**Appendix to TÜV type approved Certificate No.: R 9552030**

Kind of equipment : Component DC Fan  
 Report number : 09562037 006

|              |              |              |              |
|--------------|--------------|--------------|--------------|
| JF0825S1HXXX | 12Vdc, 0.19A | JF0825S2HXXX | 24Vdc, 0.15A |
| JF0825B1HXXX | 12Vdc, 0.19A | JF0825B2HXXX | 24Vdc, 0.15A |
| JF0825C1HXXX | 12Vdc, 0.19A | JF0825C2HXXX | 24Vdc, 0.15A |
| JF0825S1MXXX | 12Vdc, 0.15A | JF0825S2MXXX | 24Vdc, 0.13A |
| JF0825B1MXXX | 12Vdc, 0.15A | JF0825B2MXXX | 24Vdc, 0.13A |
| JF0825C1MXXX | 12Vdc, 0.15A | JF0825C2MXXX | 24Vdc, 0.13A |
| JF0825S1LXXX | 12Vdc, 0.10A | JF0825S2LXXX | 24Vdc, 0.10A |
| JF0825B1LXXX | 12Vdc, 0.10A | JF0825B2LXXX | 24Vdc, 0.10A |
| JF0825C1LXXX | 12Vdc, 0.10A | JF0825C2LXXX | 24Vdc, 0.10A |
| JF0825S1EXXX | 12Vdc, 0.06A | JF0825S2EXXX | 24Vdc, 0.05A |
| JF0825B1EXXX | 12Vdc, 0.06A | JF0825B2EXXX | 24Vdc, 0.05A |
| JF0825C1EXXX | 12Vdc, 0.06A | JF0825C2EXXX | 24Vdc, 0.05A |
| JF0925S1HXXX | 12Vdc, 0.35A | JF0925S2HXXX | 24Vdc, 0.19A |
| JF0925B1HXXX | 12Vdc, 0.35A | JF0925B2HXXX | 24Vdc, 0.19A |
| JF0925C1HXXX | 12Vdc, 0.35A | JF0925C2HXXX | 24Vdc, 0.19A |
| JF0925S1MXXX | 12Vdc, 0.20A | JF0925S2MXXX | 24Vdc, 0.15A |
| JF0925B1MXXX | 12Vdc, 0.20A | JF0925B2MXXX | 24Vdc, 0.15A |
| JF0925C1MXXX | 12Vdc, 0.20A | JF0925C2MXXX | 24Vdc, 0.15A |
| JF0925S1LXXX | 12Vdc, 0.16A | JF0925S2LXXX | 24Vdc, 0.13A |
| JF0925B1LXXX | 12Vdc, 0.16A | JF0925B2LXXX | 24Vdc, 0.13A |
| JF0925C1LXXX | 12Vdc, 0.16A | JF0925C2LXXX | 24Vdc, 0.13A |
| JF0925S1EXXX | 12Vdc, 0.10A | JF0925S2EXXX | 24Vdc, 0.07A |
| JF0925B1EXXX | 12Vdc, 0.10A | JF0925B2EXXX | 24Vdc, 0.07A |
| JF0925C1EXXX | 12Vdc, 0.10A | JF0925C2EXXX | 24Vdc, 0.07A |
| JF1225S1HXXX | 12Vdc, 0.30A | JF1225S2HXXX | 24Vdc, 0.25A |



*F. Kuebel*



# Zertifikat

# Certificate



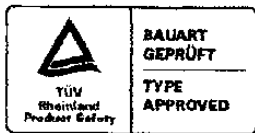
Zertifikat Nr. Certificate No. R 09552030  
Blatt Page 0018

Ihr Zeichen Client Reference KL230506/DTI  
Unser Zeichen Our Reference ZTW1-LYA- 09562037 010  
Ausstellungsdatum Date of Issue 27.06.2006 (day/mo/yr)

Genehmigungsinhaber License Holder  
Kaimei Electronic Corp.  
13th Fl., No. 81  
Sec. 1, Hsin-Tai-Wu Rd.  
Hsichih, Taipei Hsien 221  
Taiwan

Fertigungsstätte Manufacturing Plant  
Kaimei Electronic (HK), Ltd.  
10th Industry Area  
2nd Road, Donghuan, Long Hua  
Shenzhen City, Guangdong  
P.R. China

### Prüfzeichen Test Mark



Geprüft nach Tested acc. to  
EN 60950-1:2001+A11

Zertifiziertes Produkt (Geräteidentifikation)  
Certified Product (Product Identification)

Lizenzentgelte - Einheit  
License Fee - Unit

Ventilator (Component DC Fan)

wie Blatt (as page) 01

Änderung für Bezeichnung 1) JF0625X1X2X3XXX  
(Change for Type Designation) 2) JF0825X1X2X3XXX  
3) JF0925X1X2X3XXX  
4) JF1225X1X2X3XXX

Bezeichnung : 1) JF0625X1X2X3XXX (JAMICON)  
(Type Designation) 2) JF0825X1X2X3XXX (JAMICON)  
3) JF0925X1X2X3XXX (JAMICON)  
4) JF1225X1X2X3XXX (JAMICON)

X1 kann sein(can be) : B, S, C, H oder(or) F  
X2 kann sein(can be) : 1 oder(or) 2  
X3 kann sein(can be) : 1) H, M, L, E oder(or) V  
2), 3), 4) H, M, L oder(or) E  
X kann sein(can be) : 0-9, A-Z, - oder(or)  
freibleibend (blank)

Hinweis : Dieses Ausweisblatt ersetzt R 9552030, Blatt  
018 vom 22.06.2006. (Remarks: This license sheet replaces  
R 9552030, sheet 018 dated 22.06.2006)



ANLAGE (Appendix): 1.6

Dem Zertifikat liegt unsere Prüf- und Zertifizierungsordnung zugrunde.  
Das Produkt entspricht den o.g. Anforderungen, die Herstellung wird überwacht.  
This certificate is based on our Testing and Certification Regulation. The product  
fulfills above-mentioned requirements, the production is subject to surveillance.

TÜV Rheinland Product Safety GmbH, Am Grauen Stein, D-51105 Köln

Tel.:(+49/221)8 06 - 13 71 Fax:(+49/221)8 06 - 39 35 e-mail: Ahhoff@de.tuv.com

Zertifizierungsstelle

Dipl.-Ing. F. Stöelzel





**SPORTON LAB.**

Certificate No: EC2D2008-03

# CERTIFICATE

- **EQUIPMENT: DC FAN**  
**MODEL NO. : JFX1X2X3X4X5X6X7X8, KFX1X2X3X4X5X6X7X8**  
**APPLICANT : Kaimei Electronic Corp.**  
13<sup>th</sup> Fl., No. 81, Sec. 1, Hsin Tai Wu Road, Hsichih, Taipei,  
Taiwan, R.O.C.



**I HEREBY CERTIFY THAT:**

THE MEASUREMENTS SHOWN IN THIS TEST REPORT WERE MADE IN ACCORDANCE WITH THE PROCEDURES GIVEN IN **EUROPEAN COUNCIL DIRECTIVE 2004/108/EC**. THE EQUIPMENT WAS **PASSED** THE TEST PERFORMED ACCORDING TO **European Standard EN 55022:2006 Class B, EN 61000-3-2:2006, EN 61000-3-3:1995/A1:2001/A2:2005 and EN 55024:1998/A1:2001/A2:2003 (IEC 61000-4-2:1995/A2:2000, IEC 61000-4-3:2006, IEC 61000-4-4:2004, IEC 61000-4-5:2005, IEC 61000-4-6:2006, IEC 61000-4-8:1993/A1:2000, IEC 61000-4-11:2004 )**. THE TEST WAS CARRIED OUT ON **May 28, 2008 AT SPORTON INTERNATIONAL INC. LAB.**

  
Castries Huang  
Supervisor

SPORTON INTERNATIONAL INC. 6F, No.106, Sec.1, Hsin Tai Wu Rd., Hsi Chih, Taipei Hsien, Taiwan, R.O.C.

ACCORDING TO **European Standard EN 55022:2006 Class B, EN 61000-3-2:2006, EN 61000-3-3:1995/A1:2001/A2:2005 and EN 55024:1998/A1:2001/A2:2003 (IEC 61000-4-2:1995/A2:2000, IEC 61000-4-3:2006, IEC 61000-4-4:2004, IEC 61000-4-5:2005, IEC 61000-4-6:2006, IEC 61000-4-8:1993/A1:2000, IEC 61000-4-11:2004 )**.

More detail information of Model No.:

X1 means for Width x Width = 02, 03, 04, 05, 06, 07, 08, 09, 0A, 0B, 0C, 12, 15  
Where 02=25x25, 03=30x30, 04=40x40, 05=50x50, 06=60x60, 07=70x70, 08=80x80,  
09=92x92, 0A=20x20, 0B=35x35, 0C=45x45, 12=120x120, 15=  $\phi$  172 or 172x150 mm  
X2 means for thickness = 06, 07, 09, 10, 12, 15, 20, 25 or 25.4, 32, 38, 51  
Where 06= 6, 07=7, 09=9 or 10, 10= 10, 12=12, 15=15, 20=20, 25= 25 or 25.4, 32=32,  
38=38, 51=51 mm

Where the cross list for X1&X2 as the following:

0A10, 0206, 0207, 0210, 0306, 0307, 0310, 0B06, 0B07, 0B10, 0406, 0407, 0409, 0410,  
0412, 0415, 0420, 0425, 0C07, 0C10, 0509, 0510, 0512, 0515, 0520, 0525, 0610, 0615,  
0620, 0625, 0638, 0710, 0715, 0720, 0725, 0815, 0820, 0825, 0832, 0838, 0925, 0932, 0938,  
1225, 1232, 1238, 1738, 1751

X3 means for bearing type = S, B, H, C

Where B = Dual Ball, S = Sleeve, C = Ball + Sleeve, H = HTLS, F = Free Wheel

X4 means for rated voltage =1 (12V), 2 (24V), 3 (32V), 4(48V), 5(5V), A(3V), B (25.5V),  
C(42V), D(18V), E(15V)

X5 means for rotation speed =T, U, S, H, M, L, E, V or 7, 6, 5, 4, 3, 2, 1, 0.

Where T or 7 means speed higher than U or 6 speed code,

U or 6 means speed higher than S or 5 speed code,

S or 5 means speed higher than H or 4 speed code,

H or 4 means Standard-high speed code,

M or 3 means Middle speed code.,

L or 2 means Low speed code,

E or 1 means speed lower than L speed code,

V or 0 means speed lower than E speed code.

X6, X7, X8 means the internal code to distinguish the wiring, frame and blade type or the dimension of the screw hole and or the color of the above material and also for special printing characters on the label requested by the client.

  
Castries Huang  
Supervisor

