

# DC FAN

JAMICON®

50X50X15 mm

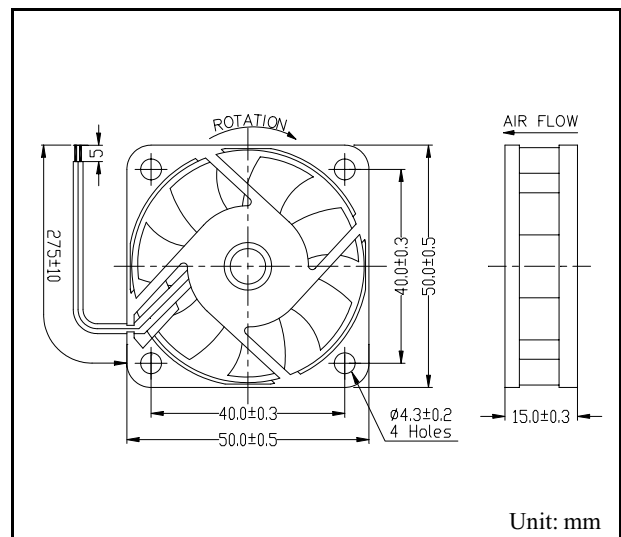
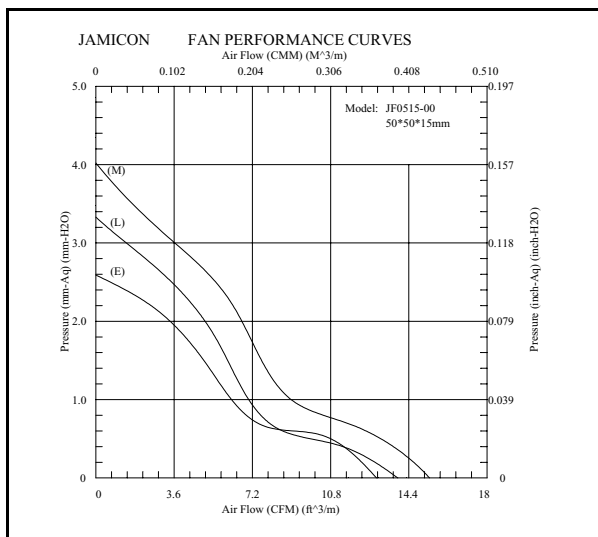
JF0515-00 Series



- **Frame** : Plastic Material UL 94V-0
- **Impeller** : Plastic Material UL 94V-0
- **Speed Range** : ±10%

| SPECIFICATIONS |             |                   |                       |                |  |                |                     |                    |                       |             |            |
|----------------|-------------|-------------------|-----------------------|----------------|--|----------------|---------------------|--------------------|-----------------------|-------------|------------|
| Model          | Bearing     | Rated Voltage (V) | Operating Voltage (V) | Air Flow (CFM) | Static Pressure (inchH <sub>2</sub> O) | Speed (R.P.M.) | Input Current (Amp) | Input Power (Watt) | Nominal Current (Amp) | Noise (dBA) | Weight (g) |
| JF0515B1M-00   | Dual Ball   | 12                | 10.2 ~ 13.8           | 15.35          | 0.158                                  | 5000           | 0.21                | 2.52               | 0.22                  | 33.0        | 29         |
| JF0515B1L-00   |             |                   |                       | 13.89          | 0.131                                  | 4500           | 0.15                | 1.80               | 0.16                  | 29.6        |            |
| JF0515B1E-00   |             |                   |                       | 12.91          | 0.102                                  | 4000           | 0.11                | 1.32               | 0.12                  | 26.7        |            |
| JF0515C1M-00   | Ball+Sleeve |                   |                       | 15.35          | 0.158                                  | 5000           | 0.21                | 2.52               | 0.22                  | 33.0        |            |
| JF0515S1M-00   |             |                   |                       | 15.35          | 0.158                                  | 5000           | 0.21                | 2.52               | 0.22                  | 33.0        |            |
| JF0515S1L-00   |             |                   |                       | Sleeve         | 13.89                                  | 0.131          | 4500                | 0.15               | 1.80                  | 0.16        |            |
| JF0515S1E-00   | 12.91       | 0.102             | 4000                  |                | 0.11                                   | 1.32           | 0.12                | 26.7               |                       |             |            |
| JF0515B2M-00   | Dual Ball   | 24                | 20.4 ~ 27.6           |                | 15.35                                  | 0.158          | 5000                | 0.12               | 2.88                  | 0.12        |            |
| JF0515B2L-00   |             |                   |                       | 13.89          | 0.131                                  | 4500           | 0.11                | 2.64               | 0.11                  | 29.6        |            |
| JF0515B2E-00   |             |                   |                       | 12.91          | 0.102                                  | 4000           | 0.08                | 1.92               | 0.08                  | 26.7        |            |
| JF0515S2M-00   | Sleeve      |                   |                       | 15.35          | 0.158                                  | 5000           | 0.12                | 2.88               | 0.12                  | 33.0        |            |
| JF0515S2L-00   |             |                   |                       | 13.89          | 0.131                                  | 4500           | 0.11                | 2.64               | 0.11                  | 29.6        |            |
| JF0515S2E-00   |             |                   |                       | 12.91          | 0.102                                  | 4000           | 0.08                | 1.92               | 0.08                  | 26.7        |            |

Specifications subject to change without notice



Unit: mm