

- Housing/Blade: Plastic UL 94V-0 P.B.T.
- Insulation Resistance: 10MΩ, 500VDC/min between bare wire and frame
- Dielectric Strength: 5mA max. 500VAC/min between bare wire and frame
- Operation Temperature: -10°C~70°C (Humidity 35%-85%RH)
- Storage Temperature: -40°C~70°C (Humidity 35%-85%RH)
- Lead Wire: UL Type #24 AWG
- Weight: 76 g



Specification :

Model Number	Bearing Availability	Rated Voltage (VDC)	Operating Voltage (VDC)	Actual Current (mA)	Power (W)	Speed (R.P.M)	Air Flow (CFM)	Static Pressure (mm-H ₂ O)	Noise (dBA)	Additional Function (See page4)
FD8025B12W3-61	B,S	12	6.0~13.8	100	1.20	2000	26.90	1.50	22.70	P,U
FD8025B12W5-61	B,S		6.0~13.8	160	1.92	2500	33.90	2.20	27.60	P,U
FD8025B12W7-61	B,S		6.0~13.8	230	2.76	3000	41.60	3.30	32.50	P,U
FD8025B12W9-61	B,S		6.0~13.8	390	4.68	4000	56.80	6.30	42.40	P,U
FD8025B24W3-61	B,S	24	12.0~27.6	80	1.92	2000	26.90	1.50	22.70	P,U
FD8025B24W5-61	B,S		12.0~27.6	100	2.40	2500	33.90	2.20	27.60	P,U
FD8025B24W7-61	B,S		12.0~27.6	140	3.36	3000	41.60	3.30	32.50	P,U

- For "Sleeve" Bearing Version, change "B" in the model number to "S".
- For additional function availability type, please refer to the notes of page 4.

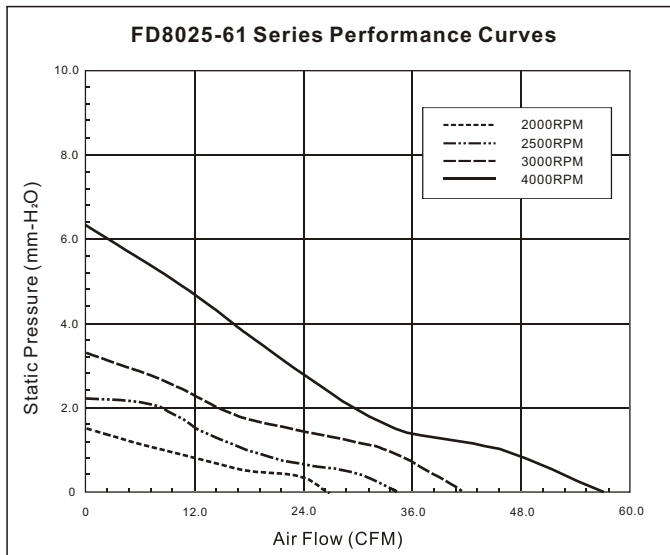
Specifications are subject to change without notice

Accessories :

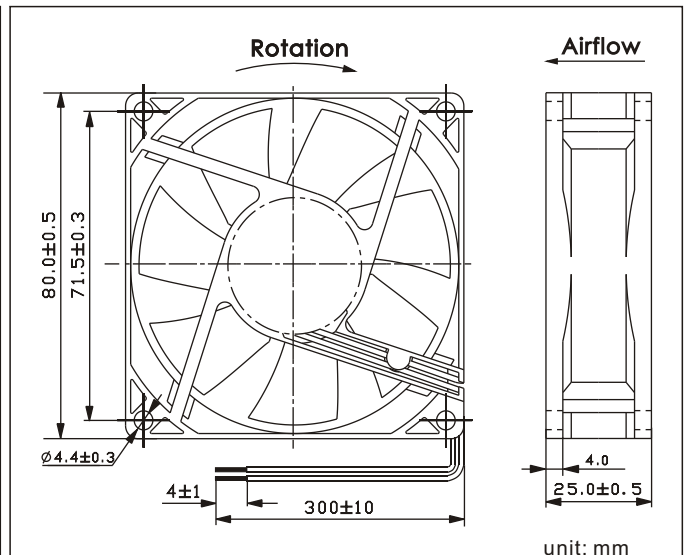
Fans are available with a wide range of accessories

Part Type	Wire Form Guard	Plastic Guard	Plastic Filter	Aluminum Filter
Part Number	FGW-080	FGP-080	FPF-080	FFA-080

Characteristic Curves :



Out line Drawing :



DC Brushless Fan Standard