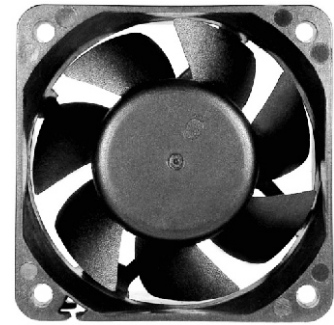


- Housing/Blade: Plastic UL 94V-0 P.B.T.
- Insulation Resistance: 10MΩ, 500VDC/min between bare wire and frame
- Dielectric Strength: 5mA max. 500VAC/min between bare wire and frame
- Operation Temperature: -10°C~70°C (Humidity 35%-85%RH)
- Storage Temperature: -40°C~70°C (Humidity 35%-85%RH)
- Lead Wire: UL Type #26 AWG
- Weight: 55 g



**Specification :**

Model Number	Bearing Availability	Rated Voltage (VDC)	Operating Voltage (VDC)	Actual Current (mA)	Power (W)	Speed (R.P.M)	Air Flow (CFM)	Static Pressure (mm-H <sub>2</sub> O)	Noise (dBA)	Additional Function (See page4)
FD6025B12W1-71	B,C,L,S	12	10.8~13.2	80	0.96	2,500	13.40	1.20	18.70	P,M
FD6025B12W3-71	B,C,L,S		10.8~13.2	80	0.96	3,000	16.10	2.40	22.10	P,M
FD6025B12W5-71	B,C,L,S		10.8~13.2	130	1.56	4,000	21.40	4.80	28.90	P,M
FD6025B12W7-71 ★※	B,C,L,S		10.8~13.2	220	2.64	5,000	26.70	7.10	33.80	P,M
FD6025B24W1-71	B,C,L,S	24	17.0~28.0	90	2.16	2,500	13.40	1.20	18.70	P,M
FD6025B24W3-71	B,C,L,S		17.0~28.0	100	2.40	3,000	16.10	2.40	22.10	P,M
FD6025B24W5-71	B,C,L,S		17.0~28.0	140	3.36	4,000	21.40	4.80	28.90	P,M
FD6025B24W7-71 ★※	B,C,L,S		17.0~28.0	170	4.08	5,000	26.70	7.10	33.80	P,M

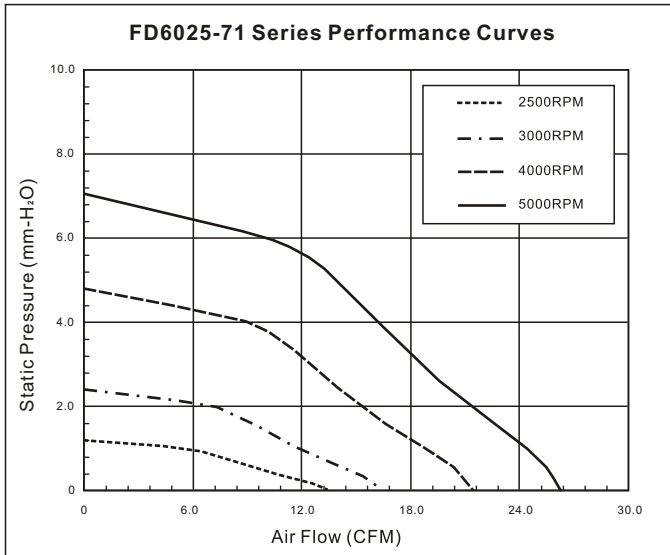
- For "One Ball & One Sleeve", "Long Life", "Sleeve" Bearing Version, change "B" in the model number to "C", "L", "S".
  - If model with "★", auto restart protection built in; If model with "※", the safety is pending.
  - For additional function availability type, please refer to the notes of page 4.
- Specifications are subject to change without notice

**Accessories :**

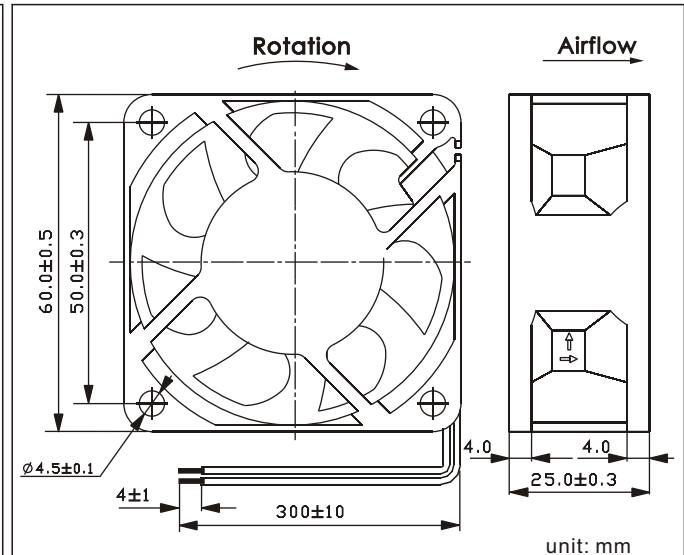
Fans are available with a wide range of accessories

Part Type	Wire Form Guard	Plastic Guard	Plastic Filter	Aluminum Filter
Part Number	FGW-060	FGP-060	FPF-060	FFA-060

**Characteristic Curves :**



**Out line Drawing :**



DC Brushless Fan Standard