

- Housing/Blade: Plastic UL 94V-0 P.B.T.
- Insulation Resistance: 10MΩ, 500VDC/min between bare wire and frame
- Dielectric Strength: 5mA max. 500VAC/min between bare wire and frame
- Operation Temperature: -10°C~70°C (Humidity 35%-85%RH)
- Storage Temperature: -40°C~70°C (Humidity 35%-85%RH)
- Lead Wire: UL Type #26 AWG
- Weight: 16 g



Specification :

Model Number	Bearing Availability	Rated Voltage (VDC)	Operating Voltage (VDC)	Actual Current (mA)	Power (W)	Speed (R.P.M)	Air Flow (CFM)	Static Pressure (mm-H ₂ O)	Noise (dBA)	Additional Function (See page 4)
FD5010B05W3-71	B,C,L,S	5	4.0~5.5	120	0.60	3,500	7.40	1.80	20.50	S
FD5010B05W5-71	B,C,L,S		4.0~5.5	180	0.90	4,500	9.60	2.30	25.70	S
FD5010B05W7-71	B,C,L,S		4.0~5.5	220	1.10	5,300	11.20	2.70	29.70	S
FD5010B12W3-71	B,C,L,S	12	10.8~13.2	60	0.72	3,500	7.40	1.80	20.50	S
FD5010B12W5-71	B,C,L,S		10.8~13.2	70	0.84	4,500	9.60	2.30	25.70	S
FD5010B12W7-71	B,C,L,S		10.8~13.2	130	1.56	5,300	11.20	2.70	29.70	S
FD5010B24W3-71 ※	B,C,L,S	24	17.0~28.0	40	0.96	3,500	7.40	1.80	20.50	S
FD5010B24W5-71 ※	B,C,L,S		17.0~28.0	50	1.20	4,500	9.60	2.30	25.70	S
FD5010B24W7-71 ※	B,C,L,S		17.0~28.0	60	1.44	5,300	11.20	2.70	29.70	S

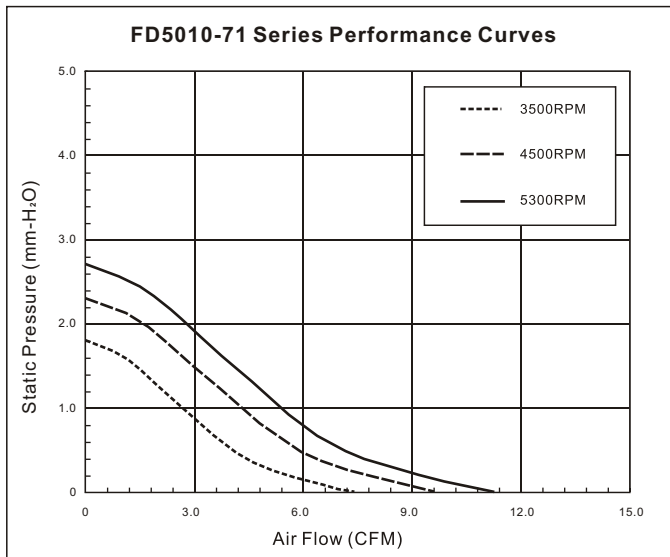
- For "One Ball & One Sleeve", "Long Life", "Sleeve" Bearing Version, change "B" in the model number to "C", "L", "S".
 - If model with "※", the safety is pending.
 - For additional function availability type, please refer to the notes of page 4.
- Specifications are subject to change without notice

Accessories :

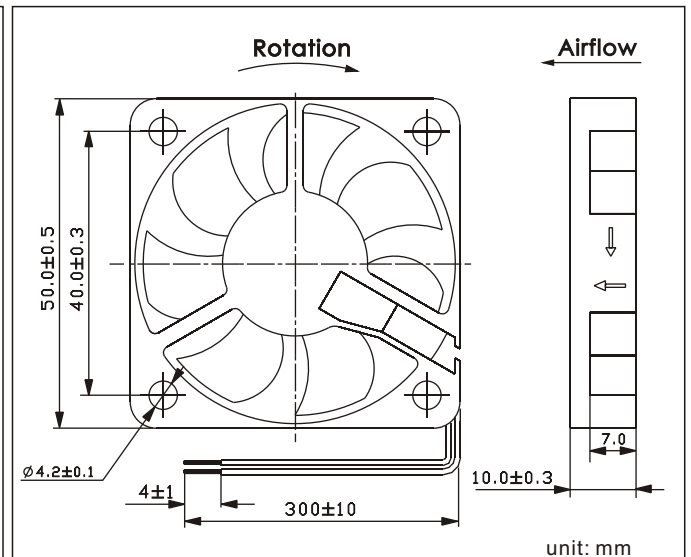
Fans are available with a wide range of accessories

Part Type	Wire Form Guard	Plastic Guard	Plastic Filter	Aluminum Filter
Part Number	FGW-050	N/A	N/A	N/A

Characteristic Curves :



Out line Drawing :



DC Brushless Fan Standard