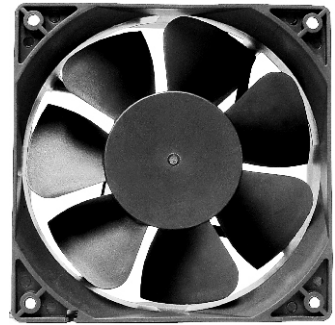


- Housing/Blade: Plastic UL 94V-0 P.B.T.
- Insulation Resistance: 10MΩ, 500VDC/min between bare wire and frame
- Dielectric Strength: 5mA max. 500VAC/min between bare wire and frame
- Operation Temperature: -10°C~70°C (Humidity 35%-85%RH)
- Storage Temperature: -40°C~70°C (Humidity 35%-85%RH)
- Lead Wire: UL Type #24 AWG
- Weight: 290 g



Specification :

Model Number	Bearing Availability	Rated Voltage (VDC)	Operating Voltage (VDC)	Actual Current (mA)	Power (W)	Speed (R.P.M)	Air Flow (CFM)	Static Pressure (mm-H ₂ O)	Noise (dBA)	Additional Function (See page4)
FD1238B12W2-61	B,S	12	6.0~13.8	230	2.76	2,000	84.40	3.80	36.40	P
FD1238B12W3-61	B,S		6.0~13.8	350	4.20	2,400	101.90	5.30	40.40	P
FD1238B12W7-61	B,S		6.0~13.8	600	7.20	3,000	128.50	7.90	46.30	P
FD1238B24W2-61	B,S	24	12.0~27.6	130	3.12	2,000	84.40	3.80	36.40	P
FD1238B24W3-61	B,S		12.0~27.6	170	4.08	2,400	101.90	5.30	40.40	P
FD1238B24W7-61	B,S		12.0~27.6	390	9.36	3,000	128.50	7.90	46.30	P
FD1238B48W2-61	B,S	48	24.0~55.2	80	3.84	2,000	84.40	3.80	36.40	P
FD1238B48W3-61	B,S		24.0~55.2	110	5.28	2,400	101.90	5.30	40.40	P
FD1238B48W7-61	B,S		24.0~55.2	190	9.12	3,000	128.50	7.90	46.30	P

• For "Sleeve" Bearing Version, change "B" in the model number to "S".
 • For additional function availability type, please refer to the notes of page 4.

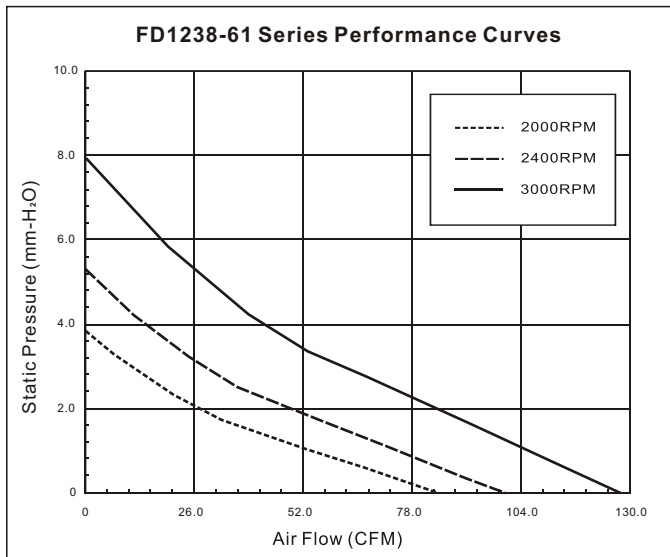
Specifications are subject to change without notice

Accessories :

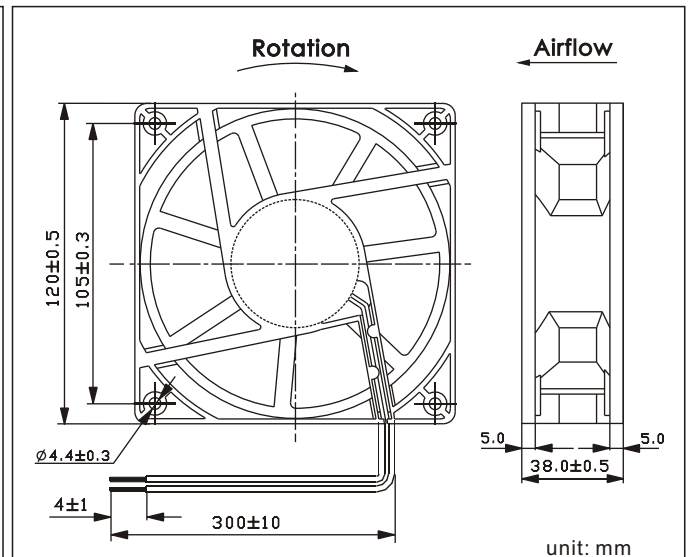
Fans are available with a wide range of accessories

Part Type	Wire Form Guard	Plastic Guard	Plastic Filter	Aluminum Filter
Part Number	FGW-120	FGP-120	FPF-120	FFA-120

Characteristic Curves :



Out line Drawing :



DC Brushless Fan
Standard