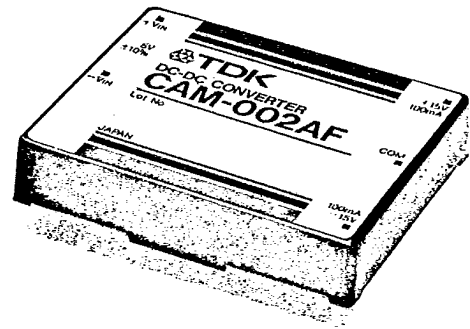


T-57-11

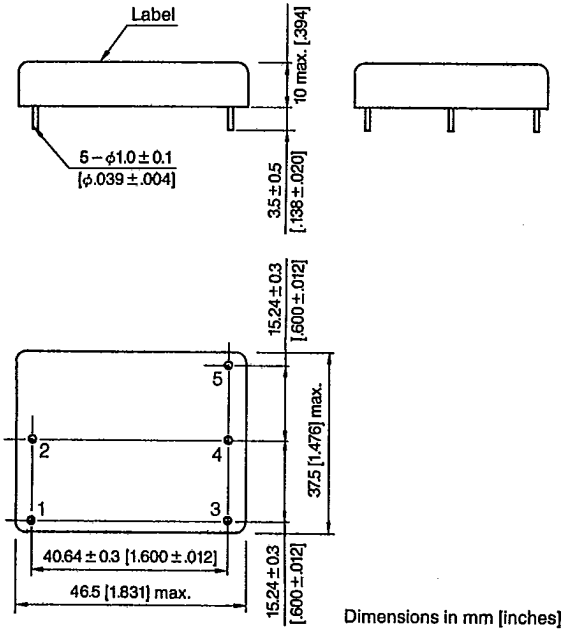
## CAM SERIES DC TO DC CONVERTERS

### FEATURES

- No electrolytic capacitors used, ensuring long life and high reliability.
- High output voltage stability.
- Floating input and output.
- Low ripple and noise voltage.
- External components are unnecessary.



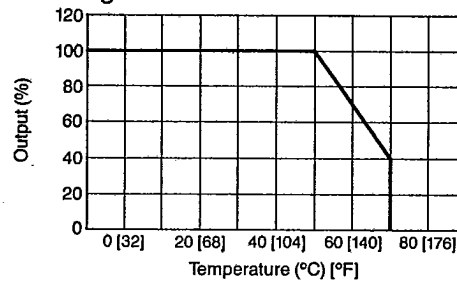
### SHAPES AND DIMENSIONS



### TEMPERATURE AND HUMIDITY RANGES

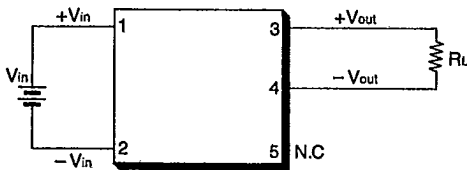
Operating temperature	-10 to +70°C [+14 to +158°F] (at 50°C [122°F] or above, refer to derating curve.)
Storage temperature	-20 to +85°C [-4 to +185°F]
Humidity	95% max. (Maximum wet bulb temperature: 38°C [100.4°F])

### Derating curve

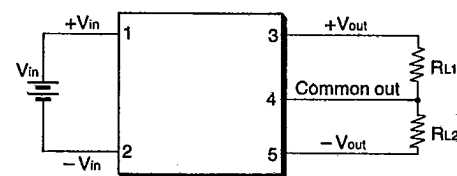


### Terminal pin configuration

CAM-□□□□F series (single output type)



CAM-00□□F series (dual output type)



Terminal pin No.	Part No.	
	CAM-□□□□F	CAM-00□□F
1	+Vin	+Vin
2	-Vin	-Vin
3	+Vout	+Vout
4	-Vout	Common out
5	No connection	-Vout

# TDK DC to DC Converters, DC to AC Inverters

3W

40E D ■ 8821248 0005000 3 ■ TDKA

T D K CORP

T-57-11

## ELECTRICAL CHARACTERISTICS

Part No.	Input voltage (V)	Output <sup>*1</sup> voltage (V)	Output current (mA)	Ripple and noise voltage <sup>*2</sup> (%p-p)	Output voltage stability depending on:			Efficiency <sup>*3</sup> (%) min.	Input-output isolation	Weight (g)
					Input (%) typ.	Load (%) typ.	Temp. (%/°C) typ.			
CAM-0505F	5 ± 10%	5 ± 5%	0 to 500							
CAM-1205F	12 ± 10%									
CAM-2405F	24 ± 10%	5 ± 5%	0 to 600	2.0	0.01	0.1	0.01			
CAM-4805F	48 ± 10%									
CAM-0512F	5 ± 10%									
CAM-1212F	12 ± 10%	12 ± 5%	0 to 250	1.0	0.01	0.1	0.01	60	Dielectric strength 1 minute 500Vac Resistance 50MΩ min. 500Vdc	
CAM-2412F	24 ± 10%									
CAM-4812F	48 ± 10%									
CAM-0515F	5 ± 10%									
CAM-1215F	12 ± 10%	15 ± 5%	0 to 200	1.0	0.01	0.1	0.01			
CAM-2415F	24 ± 10%									
CAM-4815F	48 ± 10%									
CAM-001AF	5 ± 10%									
CAM-001LF	12 ± 10%	± 12 ± 5%	(0 to 120) x 2	1.0	0.03	0.03	0.01		Dielectric strength 1 minute 500Vac Resistance 50MΩ min. 500Vdc	
CAM-001MF	24 ± 10%									
CAM-001HF	48 ± 10%									
CAM-002AF	5 ± 10%							50		
CAM-002LF	12 ± 10%	± 15 ± 5%	(0 to 100) x 2	1.0	0.03	0.03	0.01			
CAM-002MF	24 ± 10%									
CAM-002HF	48 ± 10%									

\*1 Tolerance of output voltage includes fluctuations in the input (±10%), load (0 to 100%) and temperature (-10 to +70°C [+14 to +158°F]). Ripple and noise voltage are included.

\*2 Measured with a 50MHz bandwidth.

\*3 Maximum load at typical input voltage.