

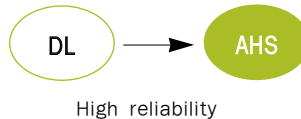


LARGE SIZED ALUMINUM ELECTROLYTIC CAPACITORS

AHS Series

• 85°C 2,000Hrs assured.

- Non-solvent proof.
- Hi-Fi Audio grade.
- For Audio, AMP, AVR
- RoHS compliant.

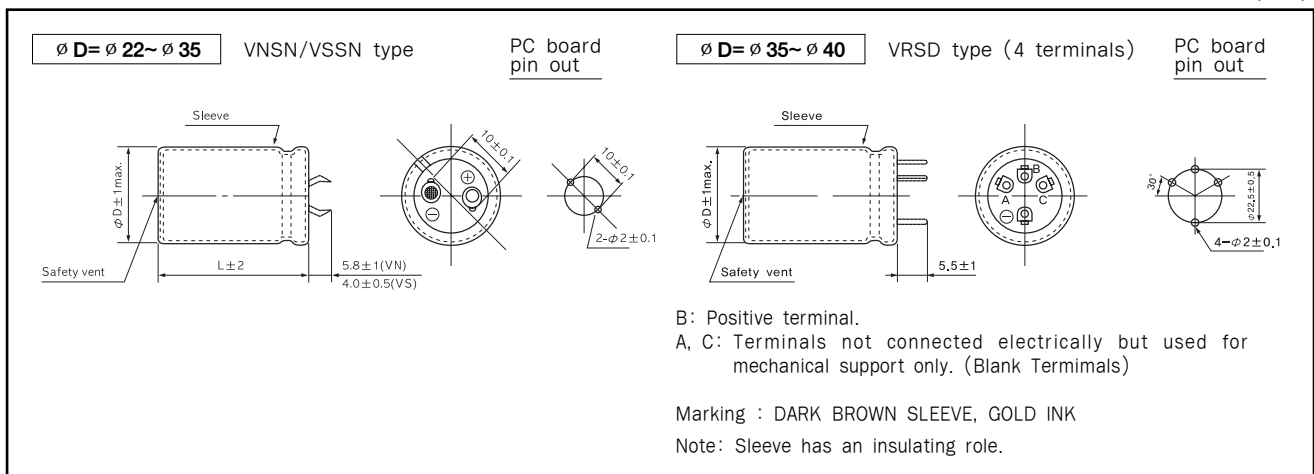


SPECIFICATIONS

Item	Characteristics				
Rated Voltage Range	50 ~ 100 V _{DC}				
Operating Temperature Range	-40 ~ +85°C				
Capacitance Tolerance	±20%(M) (at 20°C, 120Hz)				
Leakage Current	I = 0.01CV or 2mA, whichever is smaller. Where, I: Leakage current (µA) C: Nominal capacitance (µF) V: Rated voltage (V _{DC}) (at 20°C, 5 minutes)				
Dissipation Factor (Tanδ)	Tanδ shall not exceed the value shown in the table of RATINGS. (at 20°C, 120Hz)				
Temperature Characteristics (Max.Impedance ratio)	<table border="1" style="margin-left: auto; margin-right: auto;"> <tr> <td>Z(-25°C)/Z(20°C)</td> <td>4</td> </tr> <tr> <td>Z(-40°C)/Z(20°C)</td> <td>15</td> </tr> </table> (at 120Hz)	Z(-25°C)/Z(20°C)	4	Z(-40°C)/Z(20°C)	15
Z(-25°C)/Z(20°C)	4				
Z(-40°C)/Z(20°C)	15				
Load Life	The following specifications shall be satisfied when the capacitors are restored to 20°C after the rated voltage applied for 2,000 hours at 85°C Capacitance change ≤ ±20% of the initial value. Tanδ ≤ 200% of the initial specified value. Leakage current ≤ The initial specified value				
Shelf Life	The following specifications shall be satisfied when the capacitors are restored to 20°C after exposing them at max. operating temperature for ½ assurance load life time without voltage applied. The rated voltage shall be applied to the capacitors for a minimum of 30 minutes, at least 24 hours and not more than 48 hours before the measurement. Capacitance change ≤ ±20% of the initial value. Tanδ ≤ 200% of the initial specified value. Leakage current ≤ The initial specified value				
Charge & Discharge	5,000 times (at 70°C) After this test is completed, the capacitors shall be satisfied the following specifications. Capacitance change ≤ ±20% of the initial value. Tan δ ≤ 150% of the initial specified value. Leakage current ≤ The initial specified value No visible damage and no leakage electrolyte where, Charge resistance: 2.2 Ω Charge conditions: rated volt. 1(A) discharge resistance: 100 Ω Charge and discharge time: 30 sec(each)				
Others	Satisfied characteristics W of KS C 6421.				

DIMENSIONS OF AHS/DL Series

Unit (mm)



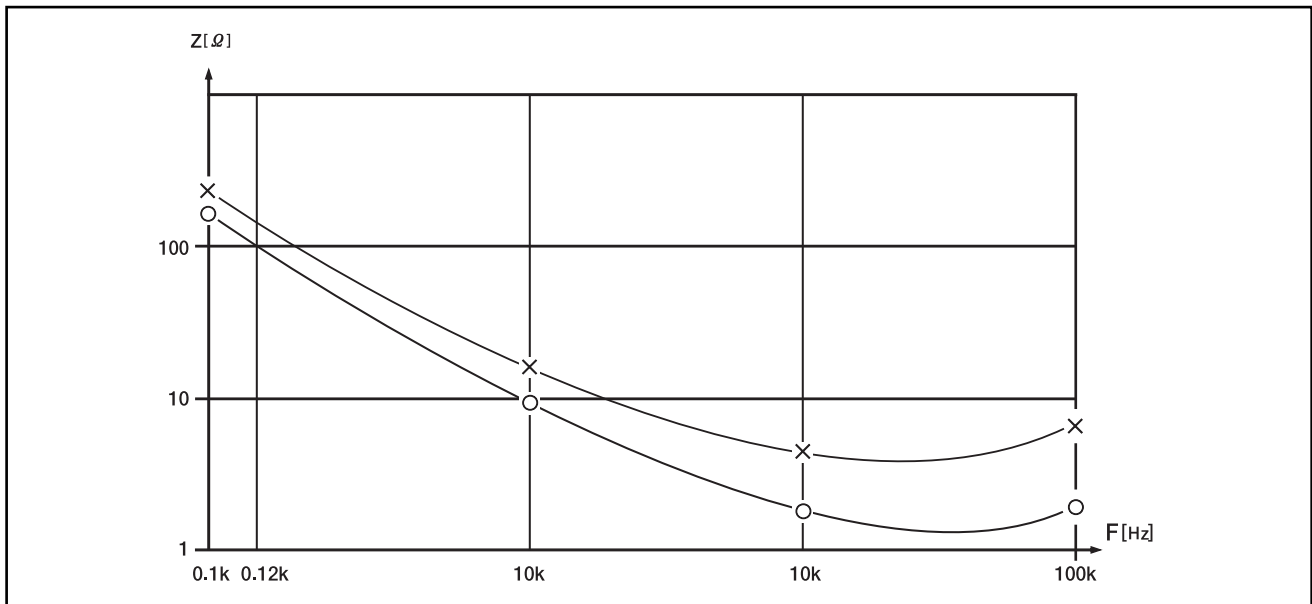
CAUTION: Please use the blank terminals for mechanical support only. The blank terminals must not be connected to a solder trace on the PC board, but be electrically isolated from negative or positive terminal.

RATINGS OF AHS Series

μF	Vdc	50(1H)			63(1J)			80(1K)			100(2A)		
3,300		25.4 × 30	0.20	1.84	25.4 × 40	0.20	1.96	25.4 × 50	0.15	2.39	30 × 60	0.15	2.68
		30 × 25	0.20	1.86	30 × 30	0.20	1.96	30 × 40	0.15	2.40	35 × 50	0.15	2.69
								35 × 35	0.15	2.40	40 × 40	0.15	2.68
4,700		25.4 × 40	0.20	2.34	25.4 × 50	0.20	2.47	25.4 × 60	0.15	3.01	35 × 60	0.15	2.98
		30 × 30	0.20	2.36	30 × 40	0.20	2.48	30 × 50	0.15	3.04	40 × 50	0.20	2.92
					35 × 30	0.20	2.48	35 × 40	0.15	3.02			
6,800		25.4 × 50	0.22	2.83	30 × 50	0.22	3.02	30 × 60	0.15	3.35	40 × 60	0.20	3.68
		30 × 40	0.22	2.85	35 × 40	0.22	3.00	35 × 50	0.15	3.35			
		35 × 35	0.25	2.67				40 × 40	0.20	3.34			
8,200		30 × 50	0.25	3.11	30 × 60	0.25	3.27	35 × 60	0.20	3.87			
		35 × 40	0.25	3.09	35 × 50	0.25	3.28	40 × 50	0.20	3.86			
					40 × 40	0.25	3.28						
10,000		30 × 50	0.25	3.43	35 × 60	0.25	3.82	40 × 60	0.20	4.46			
		35 × 40	0.25	3.41	40 × 50	0.25	3.81						
12,000		30 × 60	0.25	3.66	35 × 60	0.25	4.19						
		35 × 50	0.30	3.62	40 × 50	0.25	4.18						
		40 × 40	0.30	3.62									
15,000		35 × 60	0.30	4.27	40 × 60	0.30	4.46						
		40 × 50	0.30	4.26									
22,000		40 × 60	0.30	5.40									

↑ Rated Ripple Current (Arms/85°C, 120Hz)
 ↑ Tan δ (Max.)
 ↑ Case Size $\varnothing D \times L$ (mm)

Frequency vs Impedance Graph



○ - ○ AHS 80 VR 8200
 × - × DL 80 VR 8200