

**Features**

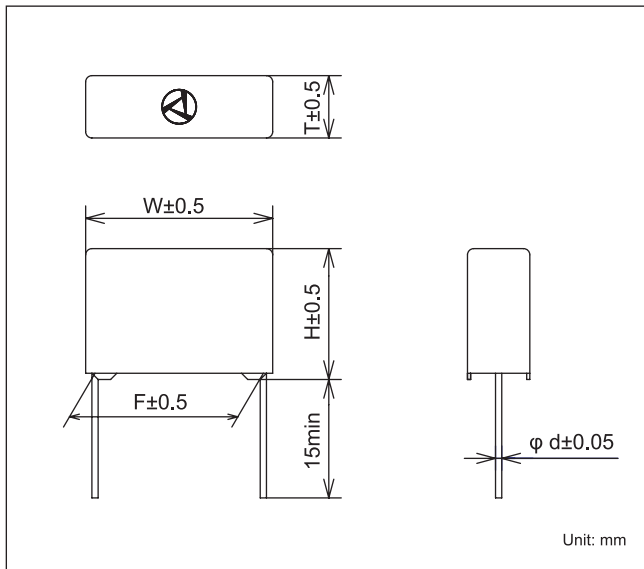
- 30% smaller size of HCE series.
- High withstand voltage (line to case) by resin case.

**Applications**

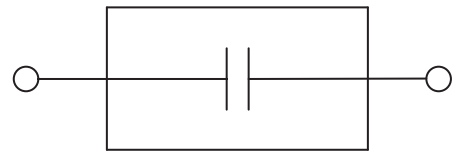
- Active filter circuit for electrical appliances. (PFC circuit)



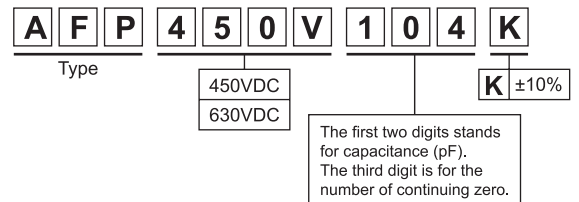
**Dimensions**



**Circuit**



• Model numbering system



**Electrical Specifications**

Rated Voltage		450VDC					630VDC					Dissipation Factor	Test Voltage	Insulation Resistance	
Capacitance		Dimensions (mm)					Dimensions (mm)								
PART NO.	μF±10%	W	H	T	F	d	W	H	T	F	d				
104	0.1	12.0	11.5	6.5	10.0	0.6	17.0	12.0	6.0	15.0	0.6	C≤1.0μF 0.001max.  C>1.0μF 0.002max.  (at 1k±100Hz)	Line to Line Rated Voltage ×1.75VDC (2~5sec)	C≤0.33μF 50,000MΩmin.	
154	0.15	14.0		7.0	12.5			25.5	15.0						8.0
224	0.22		13.5	8.5					16.0						9.0
334	0.33	17.0	15.5	10.0	30.5		17.5	8.0	27.5	0.8					
474	0.47		16.5	11.5			19.0	9.5							
684	0.68	22.5	17.0	10.0			21.0	10.5							
105	1.0	26.0	20.5	12.0	0.8	23.0	12.5	27.5	0.8						
155	1.5		22.0	13.5		27.5	17.0								
225	2.2	25.0	17.0	22.5		30.5	20.5								

Operating Temperature: -55~+100°C